

The Not So Short Introduction to L^AT_EX 2_ε

Or L^AT_EX 2_ε in 87 minutes

by Tobias Oetiker

Hubert Partl, Irene Hyna and Elisabeth Schlegl

Version 3.7, 14. April, 1999

Copyright ©1999 Tobias Oetiker and all the Contributors to LShort. All rights reserved.

This document is free; you can redistribute it and/or modify it under the terms of the GNU General Public License as published by the Free Software Foundation; either version 2 of the License, or (at your option) any later version.

This document is distributed in the hope that it will be useful, but WITHOUT ANY WARRANTY; without even the implied warranty of MERCHANTABILITY or FITNESS FOR A PARTICULAR PURPOSE. See the GNU General Public License for more details.

You should have received a copy of the GNU General Public License along with this document; if not, write to the Free Software Foundation, Inc., 675 Mass Ave, Cambridge, MA 02139, USA.

Thank you!

Much of the material used in this introduction comes from an Austrian introduction to L^AT_EX 2.09 written in German by:

Hubert Partl <partl@mail.boku.ac.at>
Zentraler Informatikdienst der Universität für Bodenkultur Wien

Irene Hyna <Irene.Hyna@bmwf.ac.at>
Bundesministerium für Wissenschaft und Forschung Wien

Elisabeth Schlegl <no email>
in Graz

If you are interested in the German document, you can find a version updated for L^AT_EX 2_ε by Jörg Knappen at CTAN:/tex-archive/info/lkurz

While preparing this document, I asked for reviewers on `comp.text.tex`. I got a lot of response. The following individuals helped with corrections, suggestions and material to improve this paper. They put in a big effort to help me get this document into its present shape. I would like to sincerely thank all of them. Naturally, all the mistakes you'll find in this book are mine. If you ever find a word which is spelled correctly, it must have been one of the people below dropping me a line.

Rosemary Bailey, Friedemann Brauer, David Carlisle,
Christopher Chin, Chris McCormack, Wim van Dam,
David Dureisseix, Elliot, David Frey, Robin Fairbairns,
Erik Frisk, Alexandre Guimond, Cyril Goutte, Greg Gamble,
Neil Hammond, Rasmus Borup Hansen, Martien Hulsen,
Werner Icking, Jakob, Eric Jacoboni, Alan Jeffrey,
Byron Jones, David Jones, Johannes-Maria Kaltenbach,
Andrzej Kawalec, Alain Kessi, Christian Kern, Jörg Knappen,
Kjetil Kjernsmo, Maik Lehradt, Martin Maechler,
Claus Malten, Hubert Partl, John Reffling, Mike Ressler,
Brian Ripley, Young U. Ryu, Chris Rowley, Hanspeter Schmid,
Craig Schlenter, Josef Tkadlec, Didier Verna, Fabian Wernli,
Fritz Zaucker, Rick Zacccone, and Mikhail Zotov

Preface

L^AT_EX [1] is a typesetting system which is very suitable for producing scientific and mathematical documents of high typographical quality. The system is also suitable for producing all sorts of other documents, from simple letters to complete books. L^AT_EX uses T_EX [2] as its formatting engine.

This short introduction describes L^AT_EX 2_ε and should be sufficient for most applications of L^AT_EX. Refer to [1, 3] for a complete description of the L^AT_EX system.

L^AT_EX is available for most computers, from the PC and Mac to large UNIX and VMS systems. On many university computer clusters, you will find that a L^AT_EX installation is available, ready to use. Information on how to access the local L^AT_EX installation should be provided in the *Local Guide* [4]. If you have problems getting started, ask the person who gave you this booklet. The scope of this document is *not* to tell you how to install and set up a L^AT_EX system, but to teach you how to write your documents so that they can be processed by L^AT_EX.

This Introduction is split into 5 chapters:

Chapter 1 tells you about the basic structure of L^AT_EX 2_ε documents. You will also learn a bit about the history of L^AT_EX. After reading this chapter, you should have a rough picture of L^AT_EX. The picture will only be a framework, but it will enable you to integrate the information provided in the other chapters into the big picture.

Chapter 2 goes into the details of typesetting your documents. It explains most of the essential L^AT_EX commands and environments. After reading this chapter, you will be able to write your first documents.

Chapter 3 explains how to typeset formulae with L^AT_EX. Again, a lot of examples help you to understand how to use one of L^AT_EX's main strengths. At the end of this chapter, you will find tables, listing all the mathematical symbols available in L^AT_EX.

Chapter 4 explains index and bibliography generation, inclusion of EPS graphics, and some other useful extensions.

Chapter 5 contains some potentially dangerous information about how to make alterations to the standard document layout produced by \LaTeX . It will tell you how to change things such that the beautiful output of \LaTeX begins looking quite bad.

It is important to read the chapters in sequential order. The book is not that big after all. Make sure to carefully read the examples, because a great part of the information is contained in the various examples you will find all throughout the book.

If you need to get hold of any \LaTeX related material, have a look in one of the CTAN ftp archives. They can be found e.g. at ctan.tug.org (US), ftp.dante.de (Germany), ftp.tex.ac.uk (UK). If you are not in one of these countries, choose the archive closest to you.

If you want to run \LaTeX on your own computer, take a look at what is available from `CTAN:/tex-archive/systems`.

If you have ideas for something to be added, removed or altered in this document, please let me know. I am especially interested in feedback from \LaTeX novices about which bits of this intro are easy to understand and which could be explained better.

Tobias Oetiker <oetiker@ee.ethz.ch>

Department of Electrical Engineering,
Swiss Federal Institute of Technology

The current version of this document is available on
`CTAN:/tex-archive/info/lshort`

Contents

Thank you!	iii
Preface	v
1 Things You Need to Know	1
1.1 The Name of the Game	1
1.1.1 T _E X	1
1.1.2 L ^A T _E X	1
1.2 Basics	2
1.2.1 Author, Book Designer, and Typesetter	2
1.2.2 Layout Design	3
1.2.3 Advantages and Disadvantages	3
1.3 L ^A T _E X Input Files	4
1.3.1 Spaces	5
1.3.2 Special Characters	5
1.3.3 L ^A T _E X Commands	5
1.3.4 Comments	6
1.4 Input File Structure	7
1.5 The Layout of the Document	7
1.5.1 Document Classes	7
1.5.2 Packages	10
1.5.3 Page Styles	12
1.6 Big Projects	12
2 Typesetting Text	15
2.1 The Structure of Text and Language	15
2.2 Linebreaking and Pagebreaking	17
2.2.1 Justified Paragraphs	17
2.2.2 Hyphenation	18
2.3 Special Characters and Symbols	19
2.3.1 Quotation Marks	19
2.3.2 Dashes and Hyphens	19
2.3.3 Ellipsis (. . .)	20

2.3.4	Ligatures	20
2.3.5	Accents and Special Characters	20
2.4	International Language Support	21
2.5	The Space between Words	22
2.6	Titles, Chapters, and Sections	23
2.7	Cross References	25
2.8	Footnotes	25
2.9	Emphasized Words	26
2.10	Environments	26
2.10.1	Itemize, Enumerate, and Description	26
2.10.2	Flushleft, Flushright, and Center	27
2.10.3	Quote, Quotation, and Verse	28
2.10.4	Printing Verbatim	28
2.10.5	Tabular	29
2.11	Floating Bodies	31
3	Typesetting Mathematical Formulae	35
3.1	General	35
3.2	Grouping in Math Mode	37
3.3	Building Blocks of a Mathematical Formula	37
3.4	Math Spacing	41
3.5	Vertically Aligned Material	42
3.6	Math Font Size	43
3.7	Theorems, Laws,	44
3.8	Bold symbols	45
3.9	List of Mathematical Symbols	47
4	Specialities	55
4.1	Including EPS Graphics	55
4.2	Bibliography	57
4.3	Indexing	58
4.4	Fancy Headers	59
4.5	The Verbatim Package	60
5	Customising L^AT_EX	61
5.1	New Commands, Environments and Packages	61
5.1.1	New Commands	62
5.1.2	New Environments	63
5.1.3	Your own Package	63
5.2	Fonts and Sizes	64
5.2.1	Font changing Commands	64
5.2.2	Danger, Will Robinson, Danger	67
5.2.3	Advice	67
5.3	Spacing	67

5.3.1	Line Spacing	67
5.3.2	Paragraph Formatting	68
5.3.3	Horizontal Space	68
5.3.4	Vertical Space	69
5.4	Page Layout	70
5.5	More fun with lengths	72
5.6	Boxes	73
5.7	Rules and Struts	75
	Bibliography	77

List of Figures

1.1	Components of a T _E X System.	2
1.2	A Minimal L ^A T _E X File.	7
1.3	Example of a Realistic Journal Article.	8
4.1	Example fancyhdr Setup.	60
5.1	Example Package.	64
5.2	Page Layout Parameters.	71

List of Tables

1.1	Document Classes.	8
1.2	Document Class Options.	9
1.3	Some of the Packages Distributed with L ^A T _E X.	11
1.4	The Predefined Page Styles of L ^A T _E X.	12
2.1	Accents and Special Characters.	21
2.2	Float Placing Permissions.	32
3.1	Math Mode Accents.	47
3.2	Lowercase Greek Letters.	47
3.3	Uppercase Greek Letters.	47
3.4	Binary Relations.	48
3.5	Binary Operators.	48
3.6	BIG Operators.	49
3.7	Arrows.	49
3.8	Delimiters.	49
3.9	Large Delimiters.	49
3.10	Miscellaneous Symbols.	50
3.11	Non-Mathematical Symbols.	50
3.12	AMS Delimiters.	50
3.13	AMS Greek and Hebrew.	50
3.14	AMS Binary Relations.	51
3.15	AMS Arrows.	51
3.16	AMS Negated Binary Relations and Arrows.	52
3.17	AMS Binary Operators.	52
3.18	AMS Miscellaneous.	53
3.19	Math Alphabets.	53
4.1	Key Names for <code>graphicx</code> Package.	56
4.2	Index Key Syntax Examples.	59
5.1	Fonts.	65
5.2	Font Sizes.	65
5.3	Absolute Point Sizes in Standard Classes.	65
5.4	Math Fonts.	66

5.5	TEX Units.	69
-----	--------------------	----

Chapter 1

Things You Need to Know

In the first part of this chapter, you will get a short overview about the philosophy and history of $\text{\LaTeX} 2_{\epsilon}$. The second part of the chapter focuses on the basic structures of a \LaTeX document. After reading this chapter, you should have a rough knowledge of how \LaTeX works. When reading on, this will help you to integrate all the new information into the big picture.

1.1 The Name of the Game

1.1.1 \TeX

\TeX is a computer program created by Donald E. Knuth [2]. It is aimed at typesetting text and mathematical formulae. Knuth started writing the \TeX typesetting engine in 1977 out of frustration about what the American Mathematical Society did to his papers when publishing them. He actually stopped submitting any papers some time in 1974 because “the finished product was just too painful for me to look at”. \TeX as we use it today was released in 1982 and slightly enhanced over the years. In the last few years, \TeX has become very stable. Today Knuth claims that it is virtually bug free. The version number of \TeX is converging to π and is now at 3.14159.

\TeX is pronounced “Tech,” with a “ch” as in the German word “Ach” or in the Scottish “Loch.” In an ASCII environment, \TeX becomes `TeX`.

1.1.2 \LaTeX

\LaTeX is a macro package which enables authors to typeset and print their work at the highest typographical quality, using a predefined, professional layout. \LaTeX was originally written by Leslie Lamport [1]. It uses the \TeX formatter as its typesetting engine.

In 1994 the \LaTeX package was updated by the $\text{\LaTeX}3$ team, led by Frank Mittelbach, to include some long-requested improvements, and to reunify all

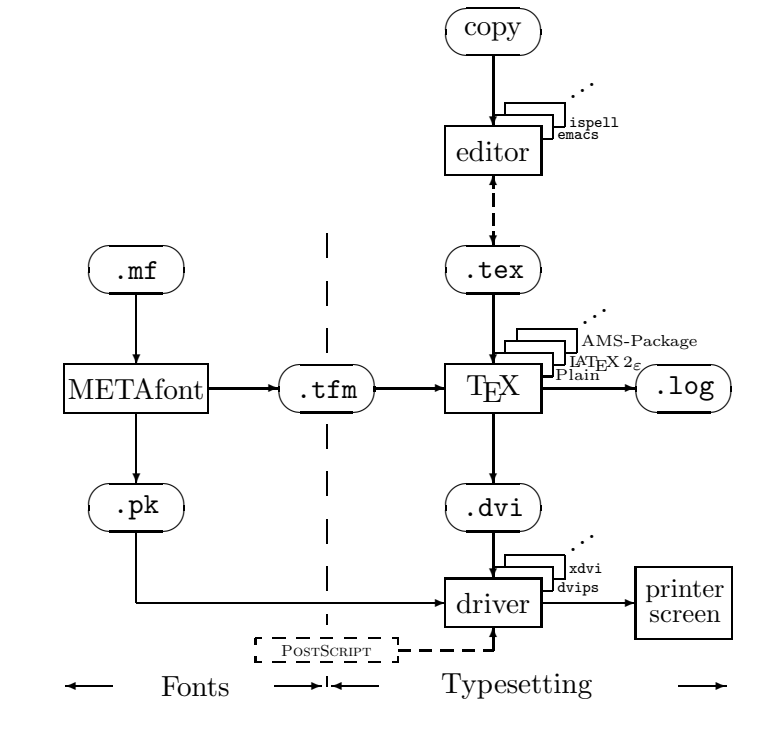


Figure 1.1: Components of a TeX System.

the patched versions which had cropped up since the release of L^AT_EX 2.09 some years earlier. To distinguish the new version from the old, it is called L^AT_EX 2_ε. This documentation deals with L^AT_EX 2_ε.

L^AT_EX is pronounced “Lay-tech” or “Lah-tech.” If you refer to L^AT_EX in an ASCII environment, you type `LaTeX`. L^AT_EX 2_ε is pronounced “Lay-tech two e” and typed `LaTeX2e`.

Figure 1.1 above shows how TeX and L^AT_EX 2_ε work together. This figure is taken from `wots.tex` by Kees van der Laan.

1.2 Basics

1.2.1 Author, Book Designer, and Typesetter

To publish something, authors give their typed manuscript to a publishing company. One of their book designers then decides the layout of the document (column width, fonts, space before and after headings, ...). The book designer writes his instructions into the manuscript and then gives it to a typesetter, who typesets the book according to these instructions.

A human book designer tries to find out what the author had in mind while writing the manuscript. He decides on chapter headings, citations, examples, formulae, etc. based on his professional knowledge and from the contents of the manuscript.

In a \LaTeX environment, \LaTeX takes the role of the book designer and uses \TeX as its typesetter. But \LaTeX is “only” a program and therefore needs more guidance. The author has to provide additional information which describes the logical structure of his work. This information is written into the text as “ \LaTeX commands.”

This is quite different from the WYSIWYG¹ approach which most modern word processors such as *MS Word* or *Corel WordPerfect* take. With these applications, authors specify the document layout interactively while typing text into the computer. All along the way, they can see on the screen how the final work will look when it is printed.

When using \LaTeX it is normally not possible to see the final output while typing the text. But the final output can be previewed on the screen after processing the file with \LaTeX . Then corrections can be made before actually sending the document to the printer.

1.2.2 Layout Design

Typographical design is a craft. Unskilled authors often commit serious formatting errors by assuming that book design is mostly a question of aesthetics—“If a document looks good artistically, it is well designed.” But as a document has to be read and not hung up in a picture gallery, the readability and understandability is of much greater importance than the beautiful look of it. Examples:

- The font size and the numbering of headings have to be chosen to make the structure of chapters and sections clear to the reader.
- The line length has to be short enough to not strain the eyes of the reader, while long enough to fill the page beautifully.

With WYSIWYG systems, authors often generate aesthetically pleasing documents with very little or inconsistent structure. \LaTeX prevents such formatting errors by forcing the author to declare the *logical* structure of his document. \LaTeX then chooses the most suitable layout.

1.2.3 Advantages and Disadvantages

When People from the WYSIWYG world meet people who use \LaTeX , they often discuss “the advantages of \LaTeX over a normal word processor” or the opposite. The best thing you can do when such a discussion starts is to keep

¹What you see is what you get.

a low profile, since such discussions often get out of hand. But sometimes you cannot escape . . .

So here is some ammunition. The main advantages of \LaTeX over normal word processors are the following:

- Professionally crafted layouts are available, which make a document really look as if “printed.”
- The typesetting of mathematical formulae is supported in a convenient way.
- The user only needs to learn a few easy-to-understand commands which specify the logical structure of a document. They almost never need to tinker with the actual layout of the document.
- Even complex structures such as footnotes, references, table of contents, and bibliographies can be generated easily.
- Free add-on packages exist for many typographical tasks not directly supported by basic \LaTeX . For example, packages are available to include `POSTSCRIPT` graphics or to typeset bibliographies conforming to exact standards. Many of these add-on packages are described in *The \LaTeX Companion* [3].
- \LaTeX encourages authors to write well-structured texts, because this is how \LaTeX works—by specifying structure.
- \TeX , the formatting engine of $\text{\LaTeX} 2_{\epsilon}$, is highly portable and free. Therefore the system runs on almost any hardware platform available.

\LaTeX also has some disadvantages, but I guess it’s a bit difficult for me to find any sensible ones, but I am sure other people can tell you hundreds ;-)

- \LaTeX does not work well for people who have sold their souls . . .
- Although some parameters can be adjusted within a predefined document layout, the design of a whole new layout is difficult and takes a lot of time.²
- It is very hard to write unstructured and disorganized documents.

1.3 \LaTeX Input Files

The input for \LaTeX is a plain `ASCII` text file. You can create it with any text editor. It contains the text of the document as well as the commands which tell \LaTeX how to typeset the text.

²Rumour says that this is one of the key elements which will be addressed in the upcoming $\text{\LaTeX} 3$ system.

1.3.1 Spaces

“Whitespace” characters such as blank or tab are treated uniformly as “space” by L^AT_EX. *Several consecutive* whitespace characters are treated as *one* “space”. Whitespace at the start of a line is generally ignored, and a single linebreak is treated as “whitespace”.

An empty line between two lines of text defines the end of a paragraph. *Several* empty lines are treated the same as *one* empty line. The text below is an example. On the left hand side is the text from the input file, and on the right hand side is the formatted output.

```
It does not matter whether you
enter one or several      spaces
after a word.
```

```
An empty line starts a new
paragraph.
```

It does not matter whether you enter one or several spaces after a word.

An empty line starts a new paragraph.

1.3.2 Special Characters

The following symbols are reserved characters that either have a special meaning under L^AT_EX or are not available in all the fonts. If you enter them directly in your text, they will normally not print, but rather coerce L^AT_EX to do things you did not intend.

\$ & % # _ { } ~ ^ \

As you will see, these characters can be used in your documents all the same by adding a prefix backslash:

```
\$ \& \% \# \_ \{ \}
```

\$ & % # _ { }

The other symbols and many more can be printed with special commands in mathematical formulae or as accents. The backslash character \ can *not* be entered by adding another backslash in front of it (\\), this sequence is used for linebreaking.³

1.3.3 L^AT_EX Commands

L^AT_EX commands are case sensitive and take one of the following two formats:

³Try the `\backslash` command instead. It produces a ‘\’.

- They start with a backslash `\` and then have a name consisting of letters only. Command names are terminated by a space, a number or any other ‘non-letter’.
- They consist of a backslash and exactly one special character.

L^AT_EX ignores whitespace after commands. If you want to get a space after a command, you have to put either `{ }` and a blank or a special spacing command after the command name. The `{ }` stops L^AT_EX from eating up all the space after the command name.

```
I read that Knuth divides the
people working with \TeX{} into
\TeX{}nicians and \TeX{}perts.\\
Today is \today.
```

```
I read that Knuth divides the people working
with TEX into TEXnicians and TEXperts.
Today is April 14, 1999.
```

Some commands need a parameter which has to be given between curly braces `{ }` after the command name. Some commands support optional parameters which are added after the command name in square brackets `[]`. The next examples use some L^AT_EX commands. Don’t worry about them, they will be explained later.

```
You can \textsl{lean} on me!
```

```
You can lean on me!
```

```
Please, start a new line
right here!\newline
Thank you!
```

```
Please, start a new line right here!
Thank you!
```

1.3.4 Comments

When L^AT_EX encounters a `%` character while processing an input file, it ignores the rest of the present line, the linebreak, and all whitespace at the beginning of the next line.

This can be used to write notes into the input file, which will not show up in the printed version.

```
This is an % stupid
% Better: instructive <----
example: Supercal%
         ifragilist%
         icexpialidocious
```

```
This is an example: Supercalifragilisticexpi-
alidocious
```

The `%` character can also be used to split long input lines where no whitespace or linebreaks are allowed.

1.4 Input File Structure

When $\text{\LaTeX} 2_{\epsilon}$ processes an input file, it expects it to follow a certain structure. Thus every input file must start with the command

```
\documentclass{...}
```

This specifies what sort of document you intend to write. After that, you can include commands which influence the style of the whole document, or you can load packages which add new features to the \LaTeX system. To load such a package you use the command

```
\usepackage{...}
```

When all the setup work is done,⁴ you start the body of the text with the command

```
\begin{document}
```

Now you enter the text mixed with some useful \LaTeX commands. At the end of the document you add the

```
\end{document}
```

command, which tells \LaTeX to call it a day. Anything which follows this command will be ignored by \LaTeX .

Figure 1.2 shows the contents of a minimal $\text{\LaTeX} 2_{\epsilon}$ file. A slightly more complicated input file is given in Figure 1.3.

1.5 The Layout of the Document

1.5.1 Document Classes

The first information \LaTeX needs to know when processing an input file is the type of document the author wants to create. This is specified with the

⁴The area between `\documentclass` and `\begin{document}` is called *preamble*.

```
\documentclass{article}
\begin{document}
Small is beautiful.
\end{document}
```

Figure 1.2: A Minimal \LaTeX File.

`\documentclass` command.

`\documentclass[options]{class}`

Here *class* specifies the type of document to be created. Table 1.1 lists the document classes explained in this introduction. The L^AT_EX 2_ε distribution provides additional classes for other documents, including letters and slides. The *options* parameter customises the behaviour of the document class. The options have to be separated by commas. The most common options for the standard document classes are listed in Table 1.2.

```

\documentclass[a4paper,11pt]{article}
\usepackage{latexsym}
\author{H.~Partl}
\title{Minimalism}
\frenchspacing
\begin{document}
\maketitle
\tableofcontents
\section{Start}
Well, and here begins my lovely article.
\section{End}
\ldots{} and here it ends.
\end{document}

```

Figure 1.3: Example of a Realistic Journal Article.

Table 1.1: Document Classes.

article for articles in scientific journals, presentations, short reports, program documentation, invitations, ...

report for longer reports containing several chapters, small books, PhD theses, ...

book for real books

slides for slides. The class uses big sans serif letters. You might want to consider using FoilT_EX^a instead.

^aCTAN:/tex-archive/macros/latex/packages/supported/foiltex

Table 1.2: Document Class Options.

<code>10pt</code> , <code>11pt</code> , <code>12pt</code>	Sets the size of the main font in the document. If no option is specified, <code>10pt</code> is assumed.
<code>a4paper</code> , <code>letterpaper</code> , ...	Defines the paper size. The default size is <code>letterpaper</code> . Besides that, <code>a5paper</code> , <code>b5paper</code> , <code>executivepaper</code> , and <code>legalpaper</code> can be specified.
<code>fleqn</code>	Typesets displayed formulae left-aligned instead of centred.
<code>leqno</code>	Places the numbering of formulae on the left hand side instead of the right.
<code>titlepage</code> , <code>notitlepage</code>	Specifies whether a new page should be started after the document title or not. The <code>article</code> class does not start a new page by default, while <code>report</code> and <code>book</code> do.
<code>twocolumn</code>	Instructs L ^A T _E X to typeset the document in two columns.
<code>twoside</code> , <code>oneside</code>	Specifies whether double or single sided output should be generated. The classes <code>article</code> and <code>report</code> are single sided and the <code>book</code> class is double sided by default. Note that this option concerns the style of the document only. The option <code>twoside</code> does <i>not</i> tell the printer you use that it should actually make a two-sided printout.
<code>openright</code> , <code>openany</code>	Makes chapters begin either only on right hand pages or on the next page available. This does not work with the <code>article</code> class, as it does not know about chapters. The <code>report</code> class by default starts chapters on the next page available and the <code>book</code> class starts them on right hand pages.

Example: An input file for a \LaTeX document could start with the line

```
\documentclass[11pt,twoside,a4paper]{article}
```

which instructs \LaTeX to typeset the document as an *article* with a base font size of *eleven points*, and to produce a layout suitable for *double sided* printing on *A4 paper*.

1.5.2 Packages

While writing your document, you will probably find that there are some areas where basic \LaTeX cannot solve your problem. If you want to include graphics, coloured text or source code from a file into your document, you need to enhance the capabilities of \LaTeX . Such enhancements are called packages. Packages are activated with the

```
\usepackage[options]{package}
```

command where *package* is the name of the package and *options* is a list of keywords which trigger special features in the package. Some packages come with the $\text{\LaTeX} 2_{\epsilon}$ base distribution (See Table 1.3). Others are provided separately. You may find more information on the packages installed at your site in your *Local Guide* [4]. The prime source for information about \LaTeX packages is *The \LaTeX Companion* [3]. It contains descriptions of hundreds of packages along with information of how to write your own extensions to $\text{\LaTeX} 2_{\epsilon}$.

Table 1.3: Some of the Packages Distributed with L^AT_EX.

<code>doc</code>	Allows the documentation of L ^A T _E X programs. Described in <code>doc.dtx</code> ^a and in <i>The L^AT_EX Companion</i> [3].
<code>exscale</code>	Provides scaled versions of the math extension font. Described in <code>ltxscale.dtx</code> .
<code>fontenc</code>	Specifies which font encoding L ^A T _E X should use. Described in <code>loutenc.dtx</code> .
<code>ifthen</code>	Provides commands of the form 'if ... then do ... otherwise do' Described in <code>ifthen.dtx</code> and <i>The L^AT_EX Companion</i> [3].
<code>latexsym</code>	To access the L ^A T _E X symbol font, you should use the <code>latexsym</code> package. Described in <code>latexsym.dtx</code> and in <i>The L^AT_EX Companion</i> [3].
<code>makeidx</code>	Provides commands for producing indexes. Described in section 4.3 and in <i>The L^AT_EX Companion</i> [3].
<code>syntonly</code>	Processes a document without typesetting it. Described in <code>syntonly.dtx</code> and in <i>The L^AT_EX Compan- ion</i> [3]. This is useful for quick error checking.
<code>inputenc</code>	Allows the specification of an input encoding such as ASCII, ISO Latin-1, ISO Latin-2, 437/850 IBM code pages, Apple Macintosh, Next, ANSI-Windows or user-defined one. Described in <code>inputenc.dtx</code> .

^aThis file should be installed on your system, and you should be able to get a `dvi` file by typing `latex doc.dtx` in any directory where you have write permission. The same is true for all the other files mentioned in this table.

1.5.3 Page Styles

L^AT_EX supports three predefined header/footer combinations—so-called page styles. The *style* parameter of the

```
\pagestyle{style}
```

command defines which one to use. Table 1.4 lists the predefined page styles.

Table 1.4: The Predefined Page Styles of L^AT_EX.

plain prints the page numbers on the bottom of the page, in the middle of the footer. This is the default page style.

headings prints the current chapter heading and the page number in the header on each page, while the footer remains empty. (This is the style used in this document)

empty sets both the header and the footer to be empty.

It is possible to change the page style of the current page with the command

```
\thispagestyle{style}
```

A description how to create your own headers and footers can be found in *The L^AT_EX Companion* [3] and in section 4.4 on page 59.

1.6 Big Projects

When working on big documents, you might want to split the input file into several parts. L^AT_EX has two commands which help you to do that.

```
\include{filename}
```

you can use this command in the document body to insert the contents of another file. Note that L^AT_EX will start a new page before processing the material input from *filename*.

The second command can be used in the preamble. It allows you to

instruct L^AT_EX to only input some of the `\included` files.

```
\includeonly{filename,filename,... }
```

After this command is executed in the preamble of the document, only `\include` commands for the filenames which are listed in the argument of the `\includeonly` command will be executed. Note that there must be no spaces between the filenames and the commas.

The `\include` command starts typesetting the included text on a new page. This is helpful when you use `\includeonly`, because the pagebreaks will not move, even when some included files are omitted. Sometimes this might not be desirable. In this case, you can use the

```
\input{filename}
```

command. It simply includes the file specified. No flashy suits, no strings attached.

Chapter 2

Typesetting Text

After reading the previous chapter, you should know about the basic stuff of which a $\text{\LaTeX}2_{\epsilon}$ document is made. In this chapter I will fill in the remaining structure you will need to know in order to produce real world material.

2.1 The Structure of Text and Language

The main point of writing a text (some modern DAAC¹ literature excluded), is to convey ideas, information, or knowledge to the reader. The reader will understand the text better if these ideas are well-structured, and will see and feel this structure much better if the typographical form reflects the logical and semantical structure of the content.

\LaTeX is different from other typesetting systems in that you just have to tell it the logical and semantical structure of a text. It then derives the typographical form of the text according to the “rules” given in the document class file and in various style files.

The most important text unit in \LaTeX (and in typography) is the paragraph. We call it “text unit” because a paragraph is the typographical form which should reflect one coherent thought, or one idea. You will learn in the following sections, how you can force linebreaks with e.g. `\` and paragraph breaks with e.g. leaving an empty line in the source code. Therefore, if a new thought begins, a new paragraph should begin, and if not, only linebreaks should be used. If in doubt about paragraph breaks, think about your text as a conveyor of ideas and thoughts. If you have a paragraph break, but the old thought continues, it should be removed. If some totally new line of thought occurs in the same paragraph, then it should be broken.

Most people completely underestimate the importance of well-placed paragraph breaks. Many people do not even know what the meaning of paragraph break is, or, especially in \LaTeX , introduce paragraph breaks without

¹Different At All Cost, a translation of the Swiss German UVA (Um’s Verrecken Anders).

knowing it. The latter mistake is especially easy to make if equations are used in the text. Look at the following examples, and figure out why sometimes empty lines (paragraph breaks) are used before and after the equation, and sometimes not. (If you don't yet understand all commands well enough to understand these examples, please read this and the following chapter, and then read this section again.)

```
% Example 1
\ldots when Einstein introduced his formula
\begin{equation}
  e = m \cdot c^2 \ ; \ ,
\end{equation}
which is at the same time the most widely known
and the least well understood physical formula.
```

```
% Example 2
\ldots from which follows Kirchoff's current law:
\begin{equation}
  \sum_{k=1}^n I_k = 0 \ ; \ .
\end{equation}
```

Kirchhoff's voltage law can be derived \ldots

```
% Example 3
\ldots which has several advantages.
```

```
\begin{equation}
  I_D = I_F - I_R
\end{equation}
is the core of a very different transistor model. \ldots
```

The next smaller text unit is a sentence. In English texts, there is a larger space after a period which ends a sentence than after one which ends an abbreviation. \LaTeX tries to figure out which one you wanted to have. If \LaTeX gets it wrong, you must tell it what you want. This is explained later in this chapter.

The structuring of text even extends to parts of sentences. Most languages have very complicated punctuation rules, but in many languages (including German and English), you will get almost every comma right if you remember what it represents: a short stop in the flow of language. If you are not sure about where to put a comma, read the sentence aloud, and take a short breath at every comma. If this feels awkward at some place,

delete that comma, if you feel the urge to breathe (or make a short stop) at some other place, insert a comma.

Finally, the paragraphs of a text should also be structured logically at a higher level, by putting them into chapters, sections, subsections, and so on. However, the typographical effect of writing e.g. `\section{The Structure of Text and Language}` is so obvious that it is almost self-evident how these high-level structures should be used.

2.2 Linebreaking and Pagebreaking

2.2.1 Justified Paragraphs

Often books are typeset with each line having the same length. \LaTeX inserts the necessary linebreaks and spaces between words by optimizing the contents of a whole paragraph. If necessary, it also hyphenates words that would not fit comfortably on a line. How the paragraphs are typeset depends on the document class. Normally the first line of a paragraph is indented, and there is no additional space between two paragraphs. Refer to section 5.3.2 for more information.

In special cases it might be necessary to order \LaTeX to break a line:

`\` or `\newline`

starts a new line without starting a new paragraph.

`*`

additionally prohibits a pagebreak after the forced linebreak.

`\newpage`

starts a new page.

`\linebreak[n]`, `\nolinebreak[n]`, `\pagebreak[n]` and `\nopagebreak[n]`

do what their names say. They enable the author to influence their actions with the optional argument n . It can be set to a number between zero to four. By setting n to a value below 4 you leave \LaTeX the option of ignoring your command if the result would look very bad. Do not confuse these “break” commands with the “new” commands. Even when you give a “break” command, \LaTeX still tries to even out the right border of the page and the total length of the page as described in the next section. If you really want to start a “new line”, then use the corresponding command. Guess its name!

L^AT_EX always tries to produce the best linebreaks possible. If it cannot find a way to break the lines in a manner which meets its high standards, it lets one line stick out on the right of the paragraph. L^AT_EX then complains (“overfull hbox”) while processing the input file. This happens most often when L^AT_EX cannot find a suitable place to hyphenate a word.² You can instruct L^AT_EX to lower its standards a little by giving the `\sloppy` command. It prevents such over-long lines by increasing the inter-word spacing — even if the final output is not optimal. In this case a warning (“underfull hbox”) is given to the user. In most such cases the result doesn’t look very good. The command `\fussy` acts in the opposite direction. Just in case you want to see L^AT_EX complaining all over the place.

2.2.2 Hyphenation

L^AT_EX hyphenates words whenever necessary. If the hyphenation algorithm does not find the correct hyphenation points, you can remedy the situation by using the following commands to tell T_EX about the exception.

The command

```
\hyphenation{word list}
```

causes the words listed in the argument to be hyphenated only at the points marked by “-”. This command should be given in the preamble of the input file and should only contain words built from normal letters. The case of the letters is ignored. The example below will allow “hyphenation” to be hyphenated as well as “Hyphenation”, and it prevents “FORTRAN”, “Fortran” and “fortran” from being hyphenated at all. No special characters or symbols are allowed in the argument.

Example:

```
\hyphenation{FORTRAN Hy-phen-a-tion}
```

The command `\-` inserts a discretionary hyphen into a word. This also becomes the only point hyphenation is allowed in this word. This command is especially useful for words containing special characters (e.g. accented characters), because L^AT_EX does not automatically hyphenate words containing special characters.

```
I think this is: su\~per\~cal\~%
i\~frag\~i\~lis\~tic\~ex\~pi\~%
al\~i\~do\~cious
```

```
I think this is: supercalifragilisticexpialido-
cious
```

²Although L^AT_EX gives you a warning when that happens (Overfull hbox), such lines are not always easy to find. If you use the option `draft` in the `\documentclass` command, these lines will be marked with a thick black line on the right margin.

Several words can be kept together on one line with the command

```
\mbox{text}
```

It causes its argument to be kept together under all circumstances.

My phone number will change soon.
It will be \mbox{0116 291 2319}.

The parameter
\mbox{\emph{filename}} should
contain the name of the file.

My phone number will change soon. It will
be 0116 291 2319.

The parameter *filename* should contain the
name of the file.

2.3 Special Characters and Symbols

2.3.1 Quotation Marks

You should *not* use the " for quotation marks as you would on a typewriter. In publishing there are special opening and closing quotation marks. In \LaTeX , use two ‘s on for opening quotation marks and two ’s for closing quotation marks.

‘‘Please press the ‘x’ key.’’

“Please press the ‘x’ key.”

2.3.2 Dashes and Hyphens

\LaTeX knows four kinds of dashes. You can access three of them with different numbers of consecutive dashes. The fourth sign is actually not a dash at all: It is the mathematical minus sign:

daughter-in-law, X-rated\\
pages 13--67\\
yes---or no? \\
\$0\$, \$1\$ and \$-1\$

daughter-in-law, X-rated
pages 13-67
yes—or no?
0, 1 and −1

The names for these dashes are: ‘-’ hyphen, ‘–’ en-dash, ‘—’ em-dash and ‘−’ minus sign.

2.3.3 Ellipsis (...)

On a typewriter a comma or a period takes the same amount of space as any other letter. In book printing these characters occupy only a little space and are set very close to the preceding letter. Therefore you cannot enter “ellipsis” by just typing three dots, as the spacing would be wrong. Besides that there is a special command for these dots. It is called

```
\ldots
```

```
Not like this ... but like this:\\
New York, Tokyo, Budapest, \ldots
```

```
Not like this ... but like this:
New York, Tokyo, Budapest, ...
```

2.3.4 Ligatures

Some letter combinations are typeset not just by setting the different letters one after the other, but by actually using special symbols.

ff fi fl ffi ... instead of ff fi fl ffi ...

These so-called ligatures can be prohibited by inserting a `\mbox{}` between the two letters in question. This might be necessary with words built from two words.

```
Not shelfful\\
but shelf\mbox{ }ful
```

```
Not shelfful
but shelfful
```

2.3.5 Accents and Special Characters

L^AT_EX supports the use of accents and special characters from many languages. Table 2.1 shows all sorts of accents being applied to the letter o. Naturally other letters work too.

To place an accent on top of an i or a j, their dots have to be removed. This is accomplished by typing `\i` and `\j`.

```
H\^otel, na"\i ve, \'el\'eve,\\
sm\o rrebr\o d, !'Se\~norita!,\\
Sch\"onbrunner Schlo\ss{ }
Stra\ss e
```

```
Hôtel, naïve, élève,
smørrebrød, ¡Señorita!,
Schönbrunner Schloß Straße
```

2.4 International Language Support

If you need to write documents in languages other than English, there are two areas where L^AT_EX has to be configured appropriately:

1. All automatically generated text strings³ have to be adapted to the new language. For many languages, these changes can be accomplished by using the `babel` package by Johannes Braams.
2. L^AT_EX needs to know the hyphenation rules for the new language. Getting hyphenation rules into L^AT_EX is a bit more tricky. It means rebuilding the format file with different hyphenation patterns enabled. Your *Local Guide* [4] should give more information on this.

If your system is already configured appropriately, you can activate the `babel` package by adding the command

```
\usepackage[language]{babel}
```

after the `\documentclass` command. The *languages* your system supports should also be listed in the Local Guide. Babel will automatically activate the appropriate hyphenation rules for the language you choose. If your L^AT_EX format does not support hyphenation in the language of your choice, babel will still work but it will disable hyphenation which has quite a negative effect on the visual appearance of the typeset document.

For some languages, `babel` also specifies new commands which simplify the input of special characters. The German language, for example, contains

³Table of Contents, List of Figures,

Table 2.1: Accents and Special Characters.

ò	\‘o	ó	\’o	ô	\~o	õ	\~o
ō	\=o	ò	\.o	ö	\"o	ç	\c c
ö	\u o	õ	\v o	ő	\H o	q	\c o
q	\d o	q	\b o	oo	\t oo		
œ	\oe	Œ	\OE	æ	\ae	Æ	\AE
å	\aa	Å	\AA				
ø	\o	Ø	\O	ı	\l	L	\L
ı	\i	J	\j	ı	!‘	ı	?‘

a lot of umlauts (äöü). With `babel`, you can enter an ö by typing "o instead of `\"o`.

Some computer systems allow you to input special characters directly from the keyboard. \LaTeX can handle such characters. Since the December 1994 release of $\text{\LaTeX} 2_{\epsilon}$, support for several input encodings is included in the basic distribution of $\text{\LaTeX} 2_{\epsilon}$. Check the `inputenc` package. When using this package, you should consider that other people might not be able to display your input files on their computer, because they use a different encoding. For example, the German umlaut ä on a PC is encoded as 132, but on some Unix systems using ISO-LATIN 1 it is encoded as 228. Therefore you should use this feature with care.

Font encoding is a different matter. It defines at which position inside a \TeX -font each letter is stored. The original Computer Modern \TeX font does only contain the 128 characters of the old 7-bit ASCII character set. When accented characters are required, \TeX creates them by combining a normal character with an accent. While the resulting output looks perfect, this approach stops the automatic hyphenation from working inside words containing accented characters.

Fortunately, most modern \TeX distributions contain a copy of the EC fonts. These fonts look like the Computer Modern fonts, but contain special characters for most of the accented characters used in European languages. By using these fonts you can improve hyphenation in non-English documents. The EC fonts are activated by including the `fontenc` package in the preamble of your document.

```
\usepackage[T1]{fontenc}
```

2.5 The Space between Words

To get a straight right margin in the output, \LaTeX inserts varying amounts of space between the words. It inserts slightly more space at the end of a sentence, as this makes the text more readable. \LaTeX assumes that sentences end with periods, question marks or exclamation marks. If a period follows an uppercase letter, this is not taken as a sentence ending, since periods after uppercase letters normally occur in abbreviations.

Any exception from these assumptions has to be specified by the author. A backslash in front of a space generates a space which will not be enlarged. A tilde ‘~’ character generates a space which cannot be enlarged and which additionally prohibits a linebreak. The command `\@` in front of a period specifies that this period terminates a sentence even when it follows an uppercase letter.

Mr.~Smith was happy to see her\\
 cf.~Fig.~5\\
 I like BASIC\@. What about you?

Mr. Smith was happy to see her cf. Fig. 5 I like BASIC. What about you?

The additional space after periods can be disabled with the command

<code>\frenchspacing</code>

which tells \LaTeX *not* to insert more space after a period than after ordinary character. This is very common in non-English languages, except bibliographies. If you use `\frenchspacing`, the command `\@` is not necessary.

2.6 Titles, Chapters, and Sections

To help the reader find his or her way through your work, you should divide it into chapters, sections, and subsections. \LaTeX supports this with special commands which take the section title as their argument. It is up to you to use them in the correct order.

The following sectioning commands are available for the `article` class:

<code>\section{...}</code>	<code>\paragraph{...}</code>
<code>\subsection{...}</code>	<code>\subparagraph{...}</code>
<code>\subsubsection{...}</code>	<code>\appendix</code>

You can use two additional sectioning commands for the `report` and the `book` class:

<code>\part{...}</code>	<code>\chapter{...}</code>
-------------------------	----------------------------

As the `article` class does not know about chapters, it is quite easy to add articles as chapters to a book. The spacing between sections, the numbering and the font size of the titles will be set automatically by \LaTeX .

Two of the sectioning commands are a bit special:

- The `\part` command does not influence the numbering sequence of chapters.
- The `\appendix` command does not take an argument. It just changes the chapter numbering to letters.⁴

⁴For the `article` style it changes the section numbering.

L^AT_EX creates a table of contents by taking the section headings and page numbers from the last compile cycle of the document. The command

```
\tableofcontents
```

expands to a table of contents at the place where it is issued. A new document has to be compiled (“L^AT_EXed”) twice to get a correct table of contents. Sometimes it might be necessary to compile the document a third time. L^AT_EX will tell you when this is necessary.

All sectioning commands listed above also exist as “starred” versions. A “starred” version of a command is built by adding a star `*` after the command name. They generate section headings which do not show up in the table of contents and which are not numbered. The command `\section{Help}`, for example, would become `\section*{Help}`.

Normally the section headings show up in the table of contents exactly as they are entered in the text. Sometimes this is not possible, because the heading is too long to fit into the table of contents. The entry for the table of contents can then be specified as an optional argument in front of the actual heading.

```
\chapter[Read it! It's Exciting]{This is a very long
and especially boring title}
```

The title of the whole document is generated by issuing a

```
\maketitle
```

command. The contents of the title have to be defined by the commands

```
\title{...}, \author{...} and optionally \date{...}
```

before calling `\maketitle`. In the argument of `\author`, you can supply several names separated by `\and` commands.

An example of some of the commands mentioned above can be found in Figure 1.3 on page 8.

Apart from the sectioning commands explained above, L^AT_EX 2_ε introduced 3 additional commands for use with the `book` class.

```
\frontmatter, \mainmatter and \backmatter
```

They are useful for dividing your publication. The commands alter chapter headings and page numbering to work as you would expect it in a book.

2.7 Cross References

In books, reports and articles, there are often cross-references to figures, tables and special segments of text. \LaTeX provides the following commands for cross referencing

```
\label{marker}, \ref{marker} and \pageref{marker}
```

where *marker* is an identifier chosen by the user. \LaTeX replaces \ref by the number of the section, subsection, figure, table, or theorem after which the corresponding \label command was issued. \pageref prints the page number of the corresponding \label command.⁵ Just as the section titles, the numbers from the previous run are used.

A reference to this subsection
 $\label{sec:this}$ looks like:
 ‘‘see section~ $\ref{sec:this}$ on
 page~ $\pageref{sec:this}$.’’

A reference to this subsection looks like: “see section 2.7 on page 25.”

2.8 Footnotes

With the command

```
\footnote{footnote text}
```

a footnote is printed at the foot of the current page. Footnotes should always be put⁶ after the word or sentence they refer to.⁷

Footnotes $\footnote{This is a footnote.}$ are often used by people using \LaTeX .

Footnotes^a are often used by people using \LaTeX .

^aThis is a footnote.

⁵Note that these commands are not aware of what they refer to. \label just saves the last automatically generated number.

⁶“put” is one of the most common English words.

⁷Footnotes referring to a sentence or part of it should therefore be put after the comma or period.

2.9 Emphasized Words

If a text is typed using a typewriter, **important words are emphasized by underlining them**. In printed books, however, words are emphasized by typesetting them in an *italic* font. L^AT_EX provides the command

```
\emph{text}
```

to emphasize text. What the command actually does with its argument depends on the context:

```
\emph{If you use
emphasizing inside a piece
of emphasized text, then
\LaTeX{} uses the
\emph{normal} font for
emphasizing.}
```

If you use emphasizing inside a piece of emphasized text, then L^AT_EX uses the normal font for emphasizing.

Please note the difference between telling L^AT_EX to *emphasize* something and telling it to use a different *font*:

```
\textit{You can also
\emph{emphasize} text if
it is set in italics,}
\textsf{in a
\emph{sans-serif} font,}
\texttt{for in
\emph{typewriter} style.}
```

You can also emphasize text if it is set in italics, in a sans-serif font, or in typewriter style.

2.10 Environments

```
\begin{name} text \end{name}
```

Where *name* is the name of the environment. Environments can be called several times within each other as long as the calling order is maintained.

```
\begin{aaa}... \begin{bbb}... \end{bbb}... \end{aaa}
```

In the following sections all important environments are explained.

2.10.1 Itemize, Enumerate, and Description

The `itemize` environment is suitable for simple lists, the `enumerate` environment for enumerated lists, and the `description` environment for descriptions.


```

\flushleft
\begin{enumerate}
\item You can mix the list
environments to your taste:
\begin{itemize}
\item But it might start to
look silly.
\item[-] With a dash.
\end{itemize}
\item Therefore remember:
\begin{description}
\item[Stupid] things will not
become smart because they are
in a list.
\item[Smart] things, though, can be
presented beautifully in a list.
\end{description}
\end{enumerate}

```

- | |
|---|
| <ol style="list-style-type: none"> 1. You can mix the list environments to your taste: <ul style="list-style-type: none"> • But it might start to look silly. - With a dash. 2. Therefore remember: <p>Stupid things will not become smart because they are in a list.</p> <p>Smart things, though, can be presented beautifully in a list.</p> |
|---|

2.10.2 Flushleft, Flushright, and Center

The environments `flushleft` and `flushright` generate paragraphs which are either left- or right-aligned. The `center` environment generates centred text. If you do not issue `\\` to specify linebreaks, `LATEX` will automatically determine linebreaks.

```

\begin{flushleft}
This text is\\ left-aligned.
\LaTeX{} is not trying to make
each line the same length.
\end{flushleft}

```

This text is left-aligned. <code>L^AT_EX</code> is not trying to make each line the same length.
--

```

\begin{flushright}
This text is right-\\aligned.
\LaTeX{} is not trying to make
each line the same length.
\end{flushright}

```

This text is right- aligned. <code>L^AT_EX</code> is not trying to make each line the same length.
--

```

\begin{center}
At the centre\\of the earth
\end{center}

```

At the centre of the earth

2.10.3 Quote, Quotation, and Verse

The `quote` environment is useful for quotes, important phrases and examples.

```
A typographical rule of thumb
for the line length is:
\begin{quote}
No line should contain more than
66~characters.
```

```
This is why \LaTeX{} pages have
such large borders by default.
\end{quote}
That's why multicolumn print is
often used in newspapers.
```

```
A typographical rule of thumb for the line
length is:
```

```
No line should contain more
than 66 characters.
```

```
This is why LATEX pages have
such large borders by default.
```

```
That's why multicolumn print is often used
in newspapers.
```

There are two similar environments: the `quotation` and the `verse` environments. The `quotation` environment is useful for longer quotes going over several paragraphs, because it does indent paragraphs. The `verse` environment is useful for poems where the line breaks are important. The lines are separated by issuing a `\\` at the end of a line and a empty line after each verse.

```
I know only one English poem by
heart. It is about Humpty Dumpty.
\begin{flushleft}
\begin{verse}
Humpty Dumpty sat on a wall:\\
Humpty Dumpty had a great fall.\\
All the King's horses and all
the King's men\\
Couldn't put Humpty together
again.
\end{verse}
\end{flushleft}
```

```
I know only one English poem by heart. It is
about Humpty Dumpty.
```

```
Humpty Dumpty sat on a wall:
Humpty Dumpty had a great
fall.
All the King's horses and all
the King's men
Couldn't put Humpty together
again.
```

2.10.4 Printing Verbatim

Text which is enclosed between `\begin{verbatim}` and `\end{verbatim}` will be directly printed, as if it was typed on a typewriter, with all linebreaks and spaces, without any L^AT_EX command being executed.

Within a paragraph, similar functionality can be accessed with

```
\verb+text+
```

The `+` is just an example of a delimiter character. You can use any character

except letters, * or space. Many L^AT_EX examples in this booklet are typeset with this command.

The `\verb|\ldots|` command `\ldots`

```
\begin{verbatim}
10 PRINT "HELLO WORLD ";
20 GOTO 10
\end{verbatim}
```

The `\ldots` command ...

```
10 PRINT "HELLO WORLD ";
20 GOTO 10
```

```
\begin{verbatim*}
the starred version of
the      verbatim
environment emphasizes
the spaces in the text
\end{verbatim*}
```

```
the_starred_version_of
the_verbatim
environment_emphasizes
the_spaces_in_the_text
```

The `\verb` command can be used in a similar fashion with a star:

```
\verb*|like  this :-)|
```

```
like_this_:-)
```

The `verbatim` environment and the `\verb` command may not be used within parameters of other commands.

2.10.5 Tabular

The `tabular` environment can be used to typeset beautiful tables with optional horizontal and vertical lines. L^AT_EX determines the width of the columns automatically.

The *table spec* argument of the

```
\begin{tabular}{table spec}
```

command defines the format of the table. Use an `l` for a column of left-aligned text, `r` for right-aligned text, and `c` for centred text; `p{width}` for a column containing justified text with linebreaks, and `|` for a vertical line.

Within a `tabular` environment, `&` jumps to the next column, `\\` starts a new line and `\hline` inserts a horizontal line.

```
\begin{tabular}{|r|l|}
\hline
7C0 & hexadecimal \\
3700 & octal \\
11111000000 & binary \\
\hline \hline
1984 & decimal \\
\hline
\end{tabular}
```

7C0	hexadecimal
3700	octal
11111000000	binary
1984	decimal

```
\begin{tabular}{|p{4.7cm}|}
\hline
Welcome to Boxy's paragraph.
We sincerely hope you'll
all enjoy the show.\\
\hline
\end{tabular}
```

<p>Welcome to Boxy's paragraph. We sincerely hope you'll all enjoy the show.</p>
--

The column separator can be specified with the `@{...}` construct. This command kills the inter-column space and replaces it with whatever is between the curly braces. One common use for this command is explained below in the decimal alignment problem. Another possible application is to suppress leading space in a table with `@{}`.

```
\begin{tabular}{@{} l @{}}
\hline
no leading space\\
\hline
\end{tabular}
```

<u>no leading space</u>

```
\begin{tabular}{l}
\hline
leading space left and right\\
\hline
\end{tabular}
```

<u>leading space left and right</u>

Since there is no built-in way to align numeric columns to a decimal point,⁸ we can “cheat” and do it by using two columns: a right-aligned integer and a left-aligned fraction. The `@{.}` command in the `\begin{tabular}` line replaces the normal inter-column spacing with just a “.”, giving the appearance of a single, decimal-point-justified column. Don’t forget to replace the decimal point in your numbers with a column separator (`&`)! A column label can be placed above our numeric “column” by using the `\multicolumn` command.

⁸If the ‘tools’ bundle is installed on your system, have a look at the `dcolumn` package.

```

\begin{tabular}{c r @{} l}
Pi expression      & & \\
\multicolumn{2}{c}{Value} \\
\hline
 $\pi$           & 3.1416 & \\
 $\pi^\pi$        & 36.46  & \\
 $(\pi^\pi)^\pi$  & 80662.7 & \\
\end{tabular}

```

Pi expression	Value
π	3.1416
π^π	36.46
$(\pi^\pi)^\pi$	80662.7

2.11 Floating Bodies

Today most publications contain a lot of figures and tables. These elements need special treatment, because they cannot be broken across pages. One method would be to start a new page every time a figure or a table is too large to fit on the present page. This approach would leave pages partially empty, which looks very bad.

The solution to this problem is to ‘float’ any figure or table which does not fit on the current page to a later page, while filling the current page with body text. \LaTeX offers two environments for floating bodies. One for tables and one for figures. To take full advantage of these two environments it is important to understand approximately how \LaTeX handles floats internally. Otherwise floats may become a major source of frustration, because \LaTeX never puts them where you want them to be.

Let’s first have a look at the commands \LaTeX supplies for floats:

Any material enclosed in a `figure` or `table` environment will be treated as floating matter. Both float environments support an optional parameter

```
\begin{figure}[placement specifier] or \begin{table}[placement specifier]
```

called the *placement specifier*. This parameter is used to tell \LaTeX about the locations the float is allowed to be moved to. A *placement specifier* is constructed by building a string of *float placing permissions*. See Table 2.2.

A table could be started with the following line e.g.

```
\begin{table}[!hbp]
```

The placement specifier `[!hbp]` allows \LaTeX to place the table right here (**h**) or at the bottom (**b**) of some page or on a special floats page (**p**), and all this even if it does not look that good (**!**). If no placement specifier is given, the standard classes assume `[tbp]`.

\LaTeX will place every float it encounters, according to the placement specifier supplied by the author. If a float cannot be placed on the current

page it is deferred either to the *figures* or the *tables* queue⁹. When a new page is started, L^AT_EX first checks if it is possible to fill a special ‘float’ page with floats from the queues. If this is not possible, the first float on each queue is treated as if it had just occurred in the text: L^AT_EX tries again to place it according to its respective placement specifiers (except ‘h’ which is no longer possible). Any new floats occurring in the text get placed into the appropriate queues. L^AT_EX strictly maintains the original order of appearance for each type of float. That’s why a figure which cannot be placed pushes all further figures to the end of the document. Therefore:

If L^AT_EX is not placing the floats as you expected, it is often only one float jamming one of the two float queues.

Having explained the difficult bit, there are some more things to mention about the `table` and `figure` environments. With the

`\caption{caption text}`

command, you can define a caption for the float. A running number and the string “Figure” or “Table” will be added by L^AT_EX.

The two commands

`\listoffigures` and `\listoftables`

operate analogously to the `\tableofcontents` command, printing a list of figures or tables, respectively. In these lists, the whole caption will be repeated. If you tend to use long captions, you must have a shorter version of the caption going into the lists. This is accomplished by entering the short version in brackets after the `\caption` command.

⁹These are fifo - ‘first in first out’ queues!

Table 2.2: Float Placing Permissions.

Spec	Permission to place the float . . .
h	<i>here</i> at the very place in the text where it occurred. This is useful mainly for small floats.
t	at the <i>top</i> of a page
b	at the <i>bottom</i> of a page
p	on a special <i>page</i> containing only floats.
!	without considering most of the internal parameters ^a which could stop this float from being placed.

^aSuch as the maximum number of floats allowed on one page.

```
\caption[Short]{LLLLLoooooonnnnnggggg}
```

With `\label` and `\ref`, you can create a reference to a float within your text.

The following example draws a square and inserts it into the document. You could use this if you wanted to reserve space for images you are going to paste into the finished document.

```
Figure~\ref{white} is an example of Pop-Art.
\begin{figure}[!hbp]
\makebox[\textwidth]{\framebox[5cm]{\rule{0pt}{5cm}}}
\caption{Five by Five in Centimetres.} \label{white}
\end{figure}
```

In the example above, \LaTeX will try *really hard* (!) to place the figure right *here* (h).¹⁰ If this is not possible, it tries to place the figure at the *bottom* (b) of the page. Failing to place the figure on the current page, it determines whether it is possible to create a float page containing this figure and maybe some tables from the tables queue. If there is not enough material for a special float page, \LaTeX starts a new page, and once more treats the figure as if it had just occurred in the text.

Under certain circumstances it might be necessary to use the

`\clearpage` or even the `\cleardoublepage`

command. It orders \LaTeX to immediately place all floats remaining in the queues and then start a new page. `\cleardoublepage` even goes to a new lefthand page.

You will learn how to include PostScript drawings into your $\text{\LaTeX} 2_{\epsilon}$ documents later in this introduction.

¹⁰assuming the figure queue is empty.

Chapter 3

Typesetting Mathematical Formulae

Now you are ready! In this chapter, we will attack the main strength of T_EX: mathematical typesetting. But be warned, this chapter only scratches the surface. While the things explained here are sufficient for many people, don't despair if you can't find a solution to your mathematical typesetting needs here. It is highly likely that your problem is addressed in AMS-L^AT_EX¹ or some other package.

3.1 General

L^AT_EX has a special mode for typesetting mathematics. Mathematical text within a paragraph is entered between `\(` and `\)`, between `$` and `$` or between `\begin{math}` and `\end{math}`.

Add `a squared` and `b squared` to get `c squared`. Or, using a more mathematical approach:
`$c^{2}=a^{2}+b^{2}$`

Add a squared and b squared to get c squared. Or, using a more mathematical approach:
$$c^2 = a^2 + b^2$$

`\TeX{}` is pronounced as
`tau\epsilon\chi`.
`100m^3` of water
This comes from my `\heartsuit`

T_EX is pronounced as $\tau\epsilon\chi$.
100 m³ of water
This comes from my ♥

It is preferable to *display* larger mathematical equations or formulae, rather than to typeset them on separate lines. This means you enclose them

¹CTAN:/tex-archive/macros/latex/packages/amslatex

in `[` and `]` or between `\begin{displaymath}` and `\end{displaymath}`. This produces formulae which are not numbered. If you want L^AT_EX to number them, you can use the `equation` environment.

Add `a` squared and `b` squared to get `c` squared. Or, using a more mathematical approach:

```
\begin{displaymath}
c^2=a^2+b^2
\end{displaymath}
```

And just one more line.

Add a squared and b squared to get c squared. Or, using a more mathematical approach:

$$c^2 = a^2 + b^2$$

And just one more line.

You can reference an equation with `\label` and `\ref`

```
\begin{equation} \label{eq:eps}
\epsilon > 0
\end{equation}
From (\ref{eq:eps}), we gather
\ldots
```

$$\epsilon > 0 \quad (3.1)$$

From (3.1), we gather ...

Note that expressions will be typeset in a different style if displayed:

```
$$\lim_{n \to \infty}
\sum_{k=1}^n \frac{1}{k^2}
= \frac{\pi^2}{6}$$
```

$$\lim_{n \rightarrow \infty} \sum_{k=1}^n \frac{1}{k^2} = \frac{\pi^2}{6}$$

```
\begin{displaymath}
\lim_{n \to \infty}
\sum_{k=1}^n \frac{1}{k^2}
= \frac{\pi^2}{6}
\end{displaymath}
```

$$\lim_{n \rightarrow \infty} \sum_{k=1}^n \frac{1}{k^2} = \frac{\pi^2}{6}$$

There are differences between *math mode* and *text mode*. For example in *math mode*:

1. Most spaces and linebreaks do not have any significance, as all spaces either are derived logically from the mathematical expressions or have to be specified using special commands such as `\,`, `\quad` or `\qquad`.
2. Empty lines are not allowed. Only one paragraph per formula.
3. Each letter is considered to be the name of a variable and will be typeset as such. If you want to typeset normal text within a formula (normal upright font and normal spacing) then you have to enter the text using the `\text{rm}{...}` commands.

```
\begin{equation}
\forall x \in \mathbf{R}:
\quad x^2 \geq 0
\end{equation}
```

$$\forall x \in \mathbf{R} : \quad x^2 \geq 0 \quad (3.2)$$

```
\begin{equation}
x^2 \geq 0 \quad \text{for all } x \in \mathbf{R}
\end{equation}
```

$$x^2 \geq 0 \quad \text{for all } x \in \mathbf{R} \quad (3.3)$$

Mathematicians can be very fussy about which symbols are used: it would be conventional here to use ‘blackboard bold’, which is obtained using `\mathbb` from the package `amsmath` or `amssymb`. The last example becomes

```
\begin{displaymath}
x^2 \geq 0 \quad \text{for all } x \in \mathbb{R}
\end{displaymath}
```

$$x^2 \geq 0 \quad \text{for all } x \in \mathbb{R}$$

3.2 Grouping in Math Mode

Most math mode commands act only on the next character. So if you want a command to affect several characters, you have to group them together using curly braces: `{...}`.

```
\begin{equation}
a^{x+y} \neq a^x a^y
\end{equation}
```

$$a^{x+y} \neq a^x a^y \quad (3.4)$$

3.3 Building Blocks of a Mathematical Formula

In this section, the most important commands used in mathematical typesetting will be described. Take a look at section 3.9 on page 47 for a detailed list of commands for typesetting mathematical symbols.

Lowercase Greek letters are entered as `\alpha`, `\beta`, `\gamma`, ... , uppercase letters are entered as `\Gamma`, `\Delta`, ... ²

²There is no uppercase Alpha defined in L^AT_EX 2_ε because it looks the same as a normal roman A. Once the new math coding is done, things will change.

`\lambda, \xi, \pi, \mu, \Phi, \Omega`

$\lambda, \xi, \pi, \mu, \Phi, \Omega$

Exponents and Subscripts can be specified using the `^` and the `_` character.

`a_{1} \quad x^{2} \quad $e^{-\alpha t}$ \quad a_{ij}^3`
`$e^{x^2} \neq e^{x^2}$`

$a_1 \quad x^2 \quad e^{-\alpha t} \quad a_{ij}^3$
 $e^{x^2} \neq e^{x^2}$

The **square root** is entered as `\sqrt`, the n^{th} root is generated with `\sqrt[n]`. The size of the root sign is determined automatically by L^AT_EX. If just the sign is needed, use `\surd`.

`$$\sqrt{x}$ \quad $`
`$$\sqrt{x^2 + \sqrt{y}}$ \quad $`
`\quad $`
`$$\sqrt[3]{2}$ \quad $`
`$$\surd[x^2 + y^2]$ \quad $`

$\sqrt{x} \quad \sqrt{x^2 + \sqrt{y}} \quad \sqrt[3]{2}$
 $\sqrt{x^2 + y^2}$

The commands `\overline` and `\underline` create **horizontal lines** directly over or under an expression.

`$$\overline{m+n}$ \quad $`

$\overline{m+n}$

The commands `\overbrace` and `\underbrace` create long **horizontal braces** over or under an expression.

`$$\underbrace{a+b+\cdots+z}_{26}$ \quad $`

$\underbrace{a+b+\cdots+z}_{26}$

To add mathematical accents such as small arrows or tilde signs to variables, you can use the commands given in Table 3.1 on page 47. Wide hats and tildes covering several characters are generated with `\widetilde` and `\widehat`. The `'` symbol gives a prime.

`\begin{displaymath}`
`y=x^2 \quad y'=2x \quad y''=2`
`\end{displaymath}`

$y = x^2 \quad y' = 2x \quad y'' = 2$

Vectors often are specified by adding small arrow symbols on top of a variable. This is done with the `\vec` command. The two commands `\overrightarrow` and `\overleftarrow` are useful to denote the vector from A to B .

```
\begin{displaymath}
\vec a\quad\overrightarrow{AB}
\end{displaymath}
```

$$\vec{a} \quad \overrightarrow{AB}$$

Names of log-like functions are often typeset in an upright font and not in italic like variables. Therefore L^AT_EX supplies the following commands to typeset the most important function names:

```
\arccos   \cos     \csc     \exp     \ker     \limsup  \min     \sinh
\arcsin   \cosh    \deg     \gcd     \lg      \ln      \Pr      \sup
\arctan   \cot     \det     \hom     \lim     \log     \sec     \tan
\arg      \coth   \dim     \inf     \liminf  \max     \sin     \tanh
```

```
\[\lim_{x \rightarrow 0}
\frac{\sin x}{x}=1\]
```

$$\lim_{x \rightarrow 0} \frac{\sin x}{x} = 1$$

For the modulo function, there are two commands: `\bmod` for the binary operator “ $a \bmod b$ ” and `\pmod` for expressions such as “ $x \equiv a \pmod{b}$.”

A built-up **fraction** is typeset with the `\frac{...}{...}` command. Often the slashed form $1/2$ is preferable, because it looks better for small amounts of ‘fraction material.’

```
$\frac{1}{2}$~hours
\begin{displaymath}
\frac{x^2}{k+1}\quad
x^{\frac{2}{k+1}}\quad
x^{1/2}
\end{displaymath}
```

$1\frac{1}{2}$ hours

$$\frac{x^2}{k+1} \quad x^{\frac{2}{k+1}} \quad x^{1/2}$$

To typeset binomial coefficients or similar structures, you can use either the command `{... \choose ...}` or `{... \atop ...}`. The second command produces the same output as the first one, but without braces.

```
\begin{displaymath}
{n \choose k}\quad {x \atop y+2}
\end{displaymath}
```

$$\binom{n}{k} \quad \begin{matrix} x \\ y+2 \end{matrix}$$

The **integral operator** is generated with `\int`, the **sum operator** with `\sum`. The upper and lower limits are specified with `^` and `_` like subscripts and superscripts.

```
\begin{displaymath}
\sum_{i=1}^n \quad \quad
\int_0^{\frac{\pi}{2}}
\end{displaymath}
```

$$\sum_{i=1}^n \quad \int_0^{\frac{\pi}{2}}$$

For **braces** and other delimiters, there exist all types of symbols in T_EX (e.g. [< || ↓). Round and square braces can be entered with the corresponding keys, curly braces with \{, all other delimiters are generated with special commands (e.g. \updownarrow). For a list of all delimiters available, check table 3.8 on page 49.

```
\begin{displaymath}
\{a,b,c\} \neq \{a,b,c\}
\end{displaymath}
```

$$a, b, c \neq \{a, b, c\}$$

If you put the command \left in front of an opening delimiter or \right in front of a closing delimiter, T_EX will automatically determine the correct size of the delimiter. Note that you must close every \left with a corresponding \right, and that the size is determined correctly only if both are typeset on the same line. If you don't want anything on the right, use the invisible '\right. '!

```
\begin{displaymath}
1 + \left( \frac{1}{1-x^2} \right)^3
\end{displaymath}
```

$$1 + \left(\frac{1}{1-x^2} \right)^3$$

In some cases it is necessary to specify the correct size of a mathematical delimiter by hand, which can be done using the commands \big, \Big, \bigg and \Bigg as prefixes to most delimiter commands.³

```
\Big( (x+1)(x-1) \Big)^2 \\
\big(\Big(\bigg(\Bigg(\quad
\big)\Big)\bigg)\Big)\quad
\big\|\Big\|\bigg\|\Big\|\$
```

$$\left((x+1)(x-1) \right)^2 \\
\left(\left(\left(\left(\quad \right) \right) \right) \right) \quad \left\| \left\| \left\| \left\| \right\| \right\|$$

To enter **three dots** into a formula, you can use several commands. \ldots typesets the dots on the baseline, \cdots sets them centred. Besides that, there are the commands \vdots for vertical and \ddots for diagonal dots. You can find another example in section 3.5.

³These commands do not work as expected if a size changing command has been used, or the 11pt or 12pt option has been specified. Use the exscale or amsmath packages to correct this behaviour.

```
\begin{displaymath}
x_{1}, \dots, x_{n} \quad \quad \quad
x_{1} + \dots + x_{n}
\end{displaymath}
```

$$x_1, \dots, x_n \quad x_1 + \dots + x_n$$

3.4 Math Spacing

If the spaces within formulae chosen by $\text{T}_{\text{E}}\text{X}$ are not satisfactory, they can be adjusted by inserting special spacing commands. There are some commands for small spaces: `\`, for $\frac{3}{18}$ quad (U), `\:` for $\frac{4}{18}$ quad (U) and `\;` for $\frac{5}{18}$ quad (U). The escaped space character `_` generates a medium sized space and `\quad` (U) and `\qquad` (U) produce large spaces. The size of a `\quad` corresponds to the width of the character ‘M’ of the current font. The `\!` command produces a negative space of $-\frac{3}{18}$ quad (U).

```
\newcommand{\ud}{\mathrm{d}}
\begin{displaymath}
\int\!\!\!\!\!\int_D g(x,y)
\quad \quad \quad \quad
\int\int_D g(x,y)\ud x \ud y
\end{displaymath}
instead of
\begin{displaymath}
\int\int_D g(x,y)\ud x \ud y
\end{displaymath}
```

$$\iint_D g(x, y) dx dy$$

instead of

$$\int \int_D g(x, y) dx dy$$

Note that ‘d’ in the differential is conventionally set in roman.

$\text{A}_{\text{M}}\text{S}-\text{L}^{\text{A}}\text{T}_{\text{E}}\text{X}$ provides another way for finetuning the spacing between multiple integral signs, namely the `\iint`, `\iiint`, `\iiiiiint`, and `\idotsint` commands. With the `amsmath` package loaded, the above example can be typeset this way:

```
\newcommand{\ud}{\mathrm{d}}
\begin{displaymath}
\iint_D \quad \quad \quad \quad
\int \int_D dx dy
\end{displaymath}
```

$$\iint_D dx dy$$

See the electronic document `testmath.tex` (distributed with $\text{A}_{\text{M}}\text{S}-\text{L}^{\text{A}}\text{T}_{\text{E}}\text{X}$) or Chapter 8 of “The $\text{L}^{\text{A}}\text{T}_{\text{E}}\text{X}$ Companion”⁴ for further details.

⁴available at `CTAN:/tex-archive/info/ch8.*`.

3.5 Vertically Aligned Material

To typeset **arrays**, use the `array` environment. It works somewhat similar to the `tabular` environment. The `\` command is used to break the lines.

```
\begin{displaymath}
\mathbf{X} =
\left( \begin{array}{ccc}
x_{11} & x_{12} & \dots \\
x_{21} & x_{22} & \dots \\
\vdots & \vdots & \ddots
\end{array} \right)
\end{displaymath}
```

$$\mathbf{X} = \begin{pmatrix} x_{11} & x_{12} & \dots \\ x_{21} & x_{22} & \dots \\ \vdots & \vdots & \ddots \end{pmatrix}$$

The `array` environment can also be used to typeset expressions which have one big delimiter by using a “.” as an invisible `\right` delimiter:

```
\begin{displaymath}
y = \left\{ \begin{array}{ll}
a & \text{\texttrm{if } $d > c$} \\
b+x & \text{\texttrm{in the morning}} \\
l & \text{\texttrm{all day long}}
\end{array} \right.
\end{displaymath}
```

$$y = \begin{cases} a & \text{if } d > c \\ b+x & \text{in the morning} \\ l & \text{all day long} \end{cases}$$

For formulae running over several lines or for equation systems, you can use the environments `eqnarray`, and `eqnarray*` instead of `equation`. In `eqnarray` each line gets an equation number. The `eqnarray*` does not number anything.

The `eqnarray` and the `eqnarray*` environments work like a 3-column table of the form `{rc1}`, where the middle column can be used for the equal sign or the not-equal sign. Or any other sign you see fit. The `\` command breaks the lines.

```
\begin{eqnarray}
f(x) & = & \cos x & \\
f'(x) & = & -\sin x & \\
\int_0^x f(y)dy & = & \sin x & \\
\end{eqnarray}
```

$$\begin{array}{rcl} f(x) & = & \cos x & (3.5) \\ f'(x) & = & -\sin x & (3.6) \\ \int_0^x f(y)dy & = & \sin x & (3.7) \end{array}$$

Notice that the space on either side of the the equal signs is rather large. It can be reduced by setting `\setlength\arraycolsep{2pt}`, as in the next example.

Long equations will not be automatically divided into neat bits. The author has to specify where to break them and how much to indent. The following two methods are the most common ones used to achieve this.


```

{\setlength\arraycolsep{2pt}
\begin{eqnarray}
\sin x & = & x - \frac{x^3}{3!} + \frac{x^5}{5!} -
& \frac{x^7}{7!} + \dots \\
& & \nonumber \\
& & {}
\end{eqnarray}}

```

$$\sin x = x - \frac{x^3}{3!} + \frac{x^5}{5!} - \frac{x^7}{7!} + \dots \quad (3.8)$$

```

\begin{eqnarray}
\lefteqn{\cos x = 1 - \frac{x^2}{2!} +}
& \frac{x^4}{4!} - \frac{x^6}{6!} + \dots \\
& \nonumber \\
& {}
\end{eqnarray}}

```

$$\cos x = 1 - \frac{x^2}{2!} + \frac{x^4}{4!} - \frac{x^6}{6!} + \dots \quad (3.9)$$

The `\nonumber` command causes \LaTeX to not generate a number for this equation.

It can difficult be to get vertically aligned equations to look right with these methods; the package `amsmath` provides a more powerful set of alternatives.

3.6 Math Font Size

In math mode, \TeX selects the font size according to the context. Superscripts, for example, get typeset in a smaller font. If you want to typeset part of an equation in roman, don't use the `\textrm` command, because the font size switching mechanism will not work, as `\textrm` temporarily escapes to text mode. Use `\mathrm` instead to keep the size switching mechanism active. But pay attention, `\mathrm` will only work well on short items. Spaces are still not active and accented characters do not work.⁵

```

\begin{equation}
2^{\text{nd}} \quad 2^{\mathrm{nd}} \\
\end{equation}

```

$$2^{\text{nd}} \quad 2^{\mathrm{nd}} \quad (3.10)$$

Nevertheless, sometimes you need to tell \LaTeX the correct font size. In math mode, the `fontsize` is set with the four commands:

`\displaystyle (123)`, `\textstyle (123)`, `\scriptstyle (123)` and `\scriptscriptstyle (123)`.

⁵The AMS- \LaTeX package makes the `\textrm` command work with size changing.

Changing styles also affects the way limits are displayed.

```
\begin{displaymath}
\mathop{\mathrm{corr}}(X,Y)=
\frac{\displaystyle
\sum_{i=1}^n(x_i-\overline{x})
(y_i-\overline{y})}
{\displaystyle\biggl[
\sum_{i=1}^n(x_i-\overline{x})^2
\sum_{i=1}^n(y_i-\overline{y})^2
\biggr]^{1/2}}
\end{displaymath}
```

$$\mathrm{corr}(X, Y) = \frac{\sum_{i=1}^n (x_i - \bar{x})(y_i - \bar{y})}{\left[\sum_{i=1}^n (x_i - \bar{x})^2 \sum_{i=1}^n (y_i - \bar{y})^2 \right]^{1/2}}$$

This is one of those examples in which we need larger brackets than the standard `\left[\right]` provides.

3.7 Theorems, Laws, ...

When writing mathematical documents, you probably need a way to typeset “Lemmas”, “Definitions”, “Axioms” and similar structures. L^AT_EX supports this with the command

```
\newtheorem{name}[counter]{text}[section]
```

The *name* argument, is a short keyword used to identify the “theorem”. With the *text* argument, you define the actual name of the “theorem” which will be printed in the final document.

The arguments in square brackets are optional. They are both used to specify the numbering used on the “theorem”. With the *counter* argument you can specify the *name* of a previously declared “theorem”. The new “theorem” will then be numbered in the same sequence. The *section* argument allows you to specify the sectional unit within which you want your “theorem” to be numbered.

After executing the `\newtheorem` command in the preamble of your document, you can use the following command within the document.

```
\begin{name}[text]
This is my interesting theorem
\end{name}
```

This should be enough theory. The following examples will hopefully remove the final remains of doubt and make it clear that the `\newtheorem` environment is way too complex to understand.

```
% definitions for the document
% preamble
\newtheorem{law}{Law}
\newtheorem{jury}[law]{Jury}
%in the document
\begin{law} \label{law:box}
Don't hide in the witness box
\end{law}
\begin{jury}[The Twelve]
It could be you! So beware and
see law~\ref{law:box}\end{jury}
\begin{law}No, No, No\end{law}
```

Law 1 *Don't hide in the witness box*

Jury 2 (The Twelve) *It could be you! So beware and see law 1*

Law 3 *No, No, No*

The “Jury” theorem uses the same counter as the “Law” theorem. Therefore it gets a number which is in sequence with the other “Laws”. The argument in square brackets is used to specify a title or something similar for the theorem.

```
\flushleft
\newtheorem{mur}{Murphy}[section]
\begin{mur}
If there are two or more
ways to do something, and
one of those ways can result
in a catastrophe, then
someone will do it.\end{mur}
```

Murphy 3.7.1 *If there are two or more ways to do something, and one of those ways can result in a catastrophe, then someone will do it.*

The “Murphy” theorem gets a number which is linked to the number of the current section. You could also use another unit, for example chapter or subsection.

3.8 Bold symbols

It is quite difficult to get bold symbols in L^AT_EX; this is probably intentional as amateur typesetters tend to overuse them. The font change command `\mathbf` gives bold letters, but these are roman (upright) whereas mathematical symbols are normally italic. There is a `\boldmath` command, but *this can only be used outside mathematics mode*. It works for symbols too.

```
\begin{displaymath}
\mu, M \quad \mathbf{M} \quad \quad
\mbox{\boldmath $\mu, M$}
\end{displaymath}
```

μ, M **M** μ, M

Notice that the comma is bold too, which may not be what is required.

The package `amsbsy` (included by `amsmath`) makes this much easier as it includes a `\boldsymbol` command.

```
\begin{displaymath}
\mu, M \quad \quad \quad
\boldsymbol{\mu}, \boldsymbol{M}
\end{displaymath}
```

$$\mu, M \quad \quad \quad \boldsymbol{\mu}, \boldsymbol{M}$$

3.9 List of Mathematical Symbols

In the following tables, you find all the symbols normally accessible from *math mode*.

To use the symbols listed in Tables 3.12–3.16,⁶ the package `amssymb` must be loaded in the preamble of the document and the AMS math fonts must be installed, on the system. If the AMS package and fonts are not installed, on your system, have a look at

CTAN:/tex-archive/macros/latex/packages/amslatex

Table 3.1: Math Mode Accents.

\hat{a}	<code>\hat{a}</code>	\check{a}	<code>\check{a}</code>	\tilde{a}	<code>\tilde{a}</code>	\acute{a}	<code>\acute{a}</code>
\grave{a}	<code>\grave{a}</code>	\dot{a}	<code>\dot{a}</code>	\ddot{a}	<code>\ddot{a}</code>	\breve{a}	<code>\breve{a}</code>
\bar{a}	<code>\bar{a}</code>	\vec{a}	<code>\vec{a}</code>	\widehat{A}	<code>\widehat{A}</code>	\widetilde{A}	<code>\widetilde{A}</code>

Table 3.2: Lowercase Greek Letters.

α	<code>\alpha</code>	θ	<code>\theta</code>	o	<code>o</code>	υ	<code>\upsilon</code>
β	<code>\beta</code>	ϑ	<code>\vartheta</code>	π	<code>\pi</code>	ϕ	<code>\phi</code>
γ	<code>\gamma</code>	ι	<code>\iota</code>	ϖ	<code>\varpi</code>	φ	<code>\varphi</code>
δ	<code>\delta</code>	κ	<code>\kappa</code>	ρ	<code>\rho</code>	χ	<code>\chi</code>
ϵ	<code>\epsilon</code>	λ	<code>\lambda</code>	ϱ	<code>\varrho</code>	ψ	<code>\psi</code>
ε	<code>\varepsilon</code>	μ	<code>\mu</code>	σ	<code>\sigma</code>	ω	<code>\omega</code>
ζ	<code>\zeta</code>	ν	<code>\nu</code>	ς	<code>\varsigma</code>		
η	<code>\eta</code>	ξ	<code>\xi</code>	τ	<code>\tau</code>		

Table 3.3: Uppercase Greek Letters.

Γ	<code>\Gamma</code>	Λ	<code>\Lambda</code>	Σ	<code>\Sigma</code>	Ψ	<code>\Psi</code>
Δ	<code>\Delta</code>	Ξ	<code>\Xi</code>	Υ	<code>\Upsilon</code>	Ω	<code>\Omega</code>
Θ	<code>\Theta</code>	Π	<code>\Pi</code>	Φ	<code>\Phi</code>		

⁶These tables were derived from `symbols.tex` by David Carlisle and subsequently changed extensively as suggested by Josef Tkadlec.

Table 3.4: Binary Relations.

You can produce corresponding negations by adding a `\not` command as prefix to the following symbols.

$<$	<code><</code>	$>$	<code>></code>	$=$	<code>=</code>
\leq	<code>\leq</code> or <code>\le</code>	\geq	<code>\geq</code> or <code>\ge</code>	\equiv	<code>\equiv</code>
\ll	<code>\ll</code>	\gg	<code>\gg</code>	\doteq	<code>\doteq</code>
\prec	<code>\prec</code>	\succ	<code>\succ</code>	\sim	<code>\sim</code>
\preceq	<code>\preceq</code>	\succeq	<code>\succeq</code>	\simeq	<code>\simeq</code>
\subset	<code>\subset</code>	\supset	<code>\supset</code>	\approx	<code>\approx</code>
\subseteq	<code>\subseteq</code>	\supseteq	<code>\supseteq</code>	\cong	<code>\cong</code>
\sqsubset ^a	<code>\sqsubset</code> ^a	\sqsupset ^a	<code>\sqsupset</code> ^a	\Join ^a	<code>\Join</code> ^a
\sqsubseteq	<code>\sqsubseteq</code>	\sqsupseteq	<code>\sqsupseteq</code>	\bowtie	<code>\bowtie</code>
\in	<code>\in</code>	\ni , \owns	<code>\ni</code> , <code>\owns</code>	\propto	<code>\propto</code>
\vdash	<code>\vdash</code>	\dashv	<code>\dashv</code>	\models	<code>\models</code>
$ $	<code>\mid</code>	\parallel	<code>\parallel</code>	\perp	<code>\perp</code>
\smile	<code>\smile</code>	\frown	<code>\frown</code>	\asymp	<code>\asymp</code>
$:$	<code>:</code>	\notin	<code>\notin</code>	\neq or \ne	<code>\neq</code> or <code>\ne</code>

^aUse the `latexsym` package to access this symbol

Table 3.5: Binary Operators.

$+$	<code>+</code>	$-$	<code>-</code>		
\pm	<code>\pm</code>	\mp	<code>\mp</code>	\triangleleft	<code>\triangleleft</code>
\cdot	<code>\cdot</code>	\div	<code>\div</code>	\triangleright	<code>\triangleright</code>
\times	<code>\times</code>	\setminus	<code>\setminus</code>	\star	<code>\star</code>
\cup	<code>\cup</code>	\cap	<code>\cap</code>	\ast	<code>\ast</code>
\sqcup	<code>\sqcup</code>	\sqcap	<code>\sqcap</code>	\circ	<code>\circ</code>
\vee , \lor	<code>\vee</code> , <code>\lor</code>	\wedge , \land	<code>\wedge</code> , <code>\land</code>	\bullet	<code>\bullet</code>
\oplus	<code>\oplus</code>	\ominus	<code>\ominus</code>	\diamond	<code>\diamond</code>
\odot	<code>\odot</code>	\oslash	<code>\oslash</code>	\uplus	<code>\uplus</code>
\otimes	<code>\otimes</code>	\bigcirc	<code>\bigcirc</code>	\amalg	<code>\amalg</code>
\triangle	<code>\bigtriangleup</code>	∇	<code>\bigtriangledown</code>	\dagger	<code>\dagger</code>
\triangleleft	<code>\lhd</code> ^a	\triangleright	<code>\rhd</code> ^a	\ddagger	<code>\ddagger</code>
\trianglelefteq	<code>\unlhd</code> ^a	\trianglerighteq	<code>\unrhd</code> ^a	\wr	<code>\wr</code>

Table 3.6: BIG Operators.

\sum	<code>\sum</code>	\cup	<code>\bigcup</code>	\vee	<code>\bigvee</code>	\oplus	<code>\bigoplus</code>
\prod	<code>\prod</code>	\cap	<code>\bigcap</code>	\wedge	<code>\bigwedge</code>	\otimes	<code>\bigotimes</code>
\coprod	<code>\coprod</code>	\sqcup	<code>\bigsqcup</code>			\odot	<code>\bigodot</code>
\int	<code>\int</code>	\oint	<code>\oint</code>			\uplus	<code>\biguplus</code>

Table 3.7: Arrows.

\leftarrow	<code>\leftarrow</code> or <code>\gets</code>	\longleftarrow	<code>\longleftarrow</code>	\uparrow	<code>\uparrow</code>
\rightarrow	<code>\rightarrow</code> or <code>\to</code>	\longrightarrow	<code>\longrightarrow</code>	\downarrow	<code>\downarrow</code>
\leftrightarrow	<code>\leftrightarrow</code>	\longleftrightarrow	<code>\longleftrightarrow</code>	\updownarrow	<code>\updownarrow</code>
\Leftarrow	<code>\Leftarrow</code>	\Lleftarrow	<code>\Lleftarrow</code>	\Uparrow	<code>\Uparrow</code>
\Rightarrow	<code>\Rightarrow</code>	\Rrightarrow	<code>\Rrightarrow</code>	\Downarrow	<code>\Downarrow</code>
\Leftrightarrow	<code>\Leftrightarrow</code>	\Llongleftrightarrow	<code>\Llongleftrightarrow</code>	\Updownarrow	<code>\Updownarrow</code>
\mapsto	<code>\mapsto</code>	\longmapsto	<code>\longmapsto</code>	\nearrow	<code>\nearrow</code>
\hookrightarrow	<code>\hookrightarrow</code>	\hookrightarrow	<code>\hookrightarrow</code>	\searrow	<code>\searrow</code>
\leftharpoonup	<code>\leftharpoonup</code>	\rightharpoonup	<code>\rightharpoonup</code>	\swarrow	<code>\swarrow</code>
\leftharpoondown	<code>\leftharpoondown</code>	\rightharpoondown	<code>\rightharpoondown</code>	\nwarrow	<code>\nwarrow</code>
\rightleftharpoons	<code>\rightleftharpoons</code>	\iff	<code>\iff</code> (bigger spaces)	\leadsto	<code>\leadsto</code> ^a

^aUse the `latexsym` package to access this symbol

Table 3.8: Delimiters.

$($	<code>(</code>	$)$	<code>)</code>	\uparrow	<code>\uparrow</code>	\Uparrow	<code>\Uparrow</code>
$[$	<code>[</code> or <code>\lbrack</code>	$]$	<code>] or \rbrack</code>	\downarrow	<code>\downarrow</code>	\Downarrow	<code>\Downarrow</code>
$\{$	<code>\{ or \lbrace</code>	$\}$	<code>\} or \rbrace</code>	\updownarrow	<code>\updownarrow</code>	\Updownarrow	<code>\Updownarrow</code>
\langle	<code>\langle</code>	\rangle	<code>\rangle</code>	$ $	<code> or \vert</code>	$\ $	<code>\ or \Vert</code>
\lfloor	<code>\lfloor</code>	\rfloor	<code>\rfloor</code>	\lceil	<code>\lceil</code>	\rceil	<code>\rceil</code>
$/$	<code>/</code>	\backslash	<code>\backslash</code>	.	(dual. empty)		

Table 3.9: Large Delimiters.

$\left($	<code>\lgroup</code>	$\right)$	<code>\rgroup</code>	$\left\{$	<code>\lmoustache</code>	$\right\}$	<code>\rmoustache</code>
\uparrow	<code>\arrowvert</code>	\Downarrow	<code>\Arrowvert</code>	$\left $	<code>\bracevert</code>	$\right $	

Table 3.10: Miscellaneous Symbols.

\dots	<code>\dots</code>	\cdots	<code>\cdots</code>	\vdots	<code>\vdots</code>	\ddots	<code>\ddots</code>
\hbar	<code>\hbar</code>	\imath	<code>\imath</code>	\jmath	<code>\jmath</code>	ℓ	<code>\ell</code>
\Re	<code>\Re</code>	\Im	<code>\Im</code>	\aleph	<code>\aleph</code>	\wp	<code>\wp</code>
\forall	<code>\forall</code>	\exists	<code>\exists</code>	\mho	<code>\mho</code> ^a	∂	<code>\partial</code>
$'$	<code>'</code>	\prime	<code>\prime</code>	\emptyset	<code>\emptyset</code>	∞	<code>\infty</code>
∇	<code>\nabla</code>	\triangle	<code>\triangle</code>	\square	<code>\Box</code> ^a	\diamond	<code>\Diamond</code> ^a
\perp	<code>\bot</code>	\top	<code>\top</code>	\angle	<code>\angle</code>	\surd	<code>\surd</code>
\diamondsuit	<code>\diamondsuit</code>	\heartsuit	<code>\heartsuit</code>	\clubsuit	<code>\clubsuit</code>	\spadesuit	<code>\spadesuit</code>
\neg	<code>\neg</code> or <code>\lnot</code>	\flat	<code>\flat</code>	\natural	<code>\natural</code>	\sharp	<code>\sharp</code>

^aUse the `latexsym` package to access this symbol

Table 3.11: Non-Mathematical Symbols.

These symbols can also be used in text mode.

\dagger	<code>\dag</code>	\S	<code>\S</code>	\copyright	<code>\copyright</code>
\ddagger	<code>\ddag</code>	\P	<code>\P</code>	\pounds	<code>\pounds</code>

Table 3.12: AMS Delimiters.

\ulcorner	<code>\ulcorner</code>	\urcorner	<code>\urcorner</code>	\llcorner	<code>\llcorner</code>	\lrcorner	<code>\lrcorner</code>
-------------	------------------------	-------------	------------------------	-------------	------------------------	-------------	------------------------

Table 3.13: AMS Greek and Hebrew.

\digamma	<code>\digamma</code>	\varkappa	<code>\varkappa</code>	\beth	<code>\beth</code>	\daleth	<code>\daleth</code>	\gimel	<code>\gimel</code>
------------	-----------------------	-------------	------------------------	---------	--------------------	-----------	----------------------	----------	---------------------

Table 3.14: AMS Binary Relations.

\lessdot	<code>\lessdot</code>	\gtrdot	<code>\gtrdot</code>	\doteqdot or \Doteq	<code>\doteqdot</code> or <code>\Doteq</code>
\leqslant	<code>\leqslant</code>	\geqslant	<code>\geqslant</code>	\risingdotseq	<code>\risingdotseq</code>
\leqslantless	<code>\leqslantless</code>	\geqslantgtr	<code>\geqslantgtr</code>	\fallingdotseq	<code>\fallingdotseq</code>
\leqq	<code>\leqq</code>	\geqq	<code>\geqq</code>	\eqcirc	<code>\eqcirc</code>
\lll or \llless	<code>\lll</code> or <code>\llless</code>	\ggg or \gggtr	<code>\ggg</code> or <code>\gggtr</code>	\circeq	<code>\circeq</code>
\lesssim	<code>\lesssim</code>	\gtrsim	<code>\gtrsim</code>	\triangleq	<code>\triangleq</code>
\lessapprox	<code>\lessapprox</code>	\gtrapprox	<code>\gtrapprox</code>	\bumpeq	<code>\bumpeq</code>
\lessgtr	<code>\lessgtr</code>	\gtrless	<code>\gtrless</code>	\Bumpeq	<code>\Bumpeq</code>
\lesseqgtr	<code>\lesseqgtr</code>	\gtreqless	<code>\gtreqless</code>	\thicksim	<code>\thicksim</code>
\lesseqqgtr	<code>\lesseqqgtr</code>	\gtreqqless	<code>\gtreqqless</code>	\thickapprox	<code>\thickapprox</code>
\preccurlyeq	<code>\preccurlyeq</code>	\succcurlyeq	<code>\succcurlyeq</code>	\approxeq	<code>\approxeq</code>
\curlyeqprec	<code>\curlyeqprec</code>	\curlyeqsucc	<code>\curlyeqsucc</code>	\backsim	<code>\backsim</code>
\precsim	<code>\precsim</code>	\succsim	<code>\succsim</code>	\backsimeq	<code>\backsimeq</code>
\precapprox	<code>\precapprox</code>	\succapprox	<code>\succapprox</code>	\vDash	<code>\vDash</code>
\subseteqq	<code>\subseteqq</code>	\supseteqq	<code>\supseteqq</code>	\Vdash	<code>\Vdash</code>
\Subset	<code>\Subset</code>	\Supset	<code>\Supset</code>	\Vvdash	<code>\Vvdash</code>
\sqsubset	<code>\sqsubset</code>	\sqsupset	<code>\sqsupset</code>	\backepsilon	<code>\backepsilon</code>
\therefore	<code>\therefore</code>	\because	<code>\because</code>	\varpropto	<code>\varpropto</code>
\shortmid	<code>\shortmid</code>	\shortparallel	<code>\shortparallel</code>	\between	<code>\between</code>
\smallsmile	<code>\smallsmile</code>	\smallfrown	<code>\smallfrown</code>	\pitchfork	<code>\pitchfork</code>
\vartriangleleft	<code>\vartriangleleft</code>	\vartriangleright	<code>\vartriangleright</code>	\blacktriangleleft	<code>\blacktriangleleft</code>
\triangleleftteq	<code>\triangleleftteq</code>	\trianglerightteq	<code>\trianglerightteq</code>	\blacktriangleright	<code>\blacktriangleright</code>

Table 3.15: AMS Arrows.

\dashleftarrow	<code>\dashleftarrow</code>	\dashrightarrow	<code>\dashrightarrow</code>	\multimap	<code>\multimap</code>
\leftleftarrows	<code>\leftleftarrows</code>	\rightrightarrows	<code>\rightrightarrows</code>	\upuparrows	<code>\upuparrows</code>
\leftrightarrows	<code>\leftrightarrows</code>	\rightleftarrows	<code>\rightleftarrows</code>	\downdownarrows	<code>\downdownarrows</code>
\Lleftarrow	<code>\Lleftarrow</code>	\Rrightarrow	<code>\Rrightarrow</code>	\upharpoonleft	<code>\upharpoonleft</code>
\twoheadleftarrow	<code>\twoheadleftarrow</code>	\twoheadrightarrow	<code>\twoheadrightarrow</code>	\upharpoonright	<code>\upharpoonright</code>
\leftarrowtail	<code>\leftarrowtail</code>	\rightarrowtail	<code>\rightarrowtail</code>	\downharpoonleft	<code>\downharpoonleft</code>
\leftrightharpoons	<code>\leftrightharpoons</code>	\rightleftharpoons	<code>\rightleftharpoons</code>	\downharpoonright	<code>\downharpoonright</code>
\Lsh	<code>\Lsh</code>	\Rsh	<code>\Rsh</code>	\rightsquigarrow	<code>\rightsquigarrow</code>
\looparrowleft	<code>\looparrowleft</code>	\looparrowright	<code>\looparrowright</code>	\leftrightsquigarrow	<code>\leftrightsquigarrow</code>
\curvearrowleft	<code>\curvearrowleft</code>	\curvearrowright	<code>\curvearrowright</code>		
\circlearrowleft	<code>\circlearrowleft</code>	\circlearrowright	<code>\circlearrowright</code>		

Table 3.16: AMS Negated Binary Relations and Arrows.

\nless	\ngtr	\varsubsetneqq
\lneq	\gneq	\varsupsetneqq
\nleq	\ngeq	\nsubseteqq
\nleqslant	\ngeqslant	\nsupseteqq
\lneqq	\gneqq	\nmid
\lvertneqq	\gvertneqq	\nparallel
\nleqq	\ngeqq	\nshortmid
\lnsim	\gnsim	\nshortparallel
\lnapprox	\gnapprox	\nsim
\nprec	\nsucc	\ncong
\npreceq	\nsucceq	\nvdash
\precneqq	\succneqq	\nvDash
\precnsim	\succnsim	\nVDash
\precnapprox	\succnapprox	\nVDash
\subsetneq	\supsetneq	\ntriangleleft
\varsubsetneq	\varsupsetneq	\ntriangleright
\nsubseteq	\nsupseteq	\ntrianglelefteq
\subsetneqq	\supsetneqq	\ntrianglerighteq
\nleftarrow	\rightarrow	\nleftrightarrow
\nLeftarrow	\nrightarrow	\nLeftrightarrow

Table 3.17: AMS Binary Operators.

\dotplus	\centerdot	\intercal
\ltimes	\rtimes	\divideontimes
\Cup or \doublecup	\Cap or \doublecap	\smallsetminus
\veebar	\barwedge	\doublebarwedge
\boxplus	\boxminus	\circleddash
\boxtimes	\boxdot	\circledcirc
\leftthreetimes	\rightthreetimes	\circledast
\curlyvee	\curlywedge	

Table 3.18: AMS Miscellaneous.

\hbar	<code>\hbar</code>	\hbar	<code>\hslash</code>	\mathbb{k}	<code>\Bbbk</code>
\square	<code>\square</code>	\blacksquare	<code>\blacksquare</code>	\textcircled{S}	<code>\circledS</code>
\triangle	<code>\vartriangle</code>	\blacktriangle	<code>\blacktriangle</code>	\complement	<code>\complement</code>
∇	<code>\triangledown</code>	\blacktriangledown	<code>\blacktriangledown</code>	\Game	<code>\Game</code>
\lozenge	<code>\lozenge</code>	\blacklozenge	<code>\blacklozenge</code>	\bigstar	<code>\bigstar</code>
\sphericalangle	<code>\angle</code>	\sphericalangle	<code>\measuredangle</code>	\sphericalangle	<code>\sphericalangle</code>
\diagup	<code>\diagup</code>	\diagdown	<code>\diagdown</code>	\backprime	<code>\backprime</code>
\nexists	<code>\nexists</code>	\Finv	<code>\Finv</code>	\varnothing	<code>\varnothing</code>
\eth	<code>\eth</code>	\mho	<code>\mho</code>		

Table 3.19: Math Alphabets.

Example	Command	Required package
ABCdef	<code>\mathrm{ABCdef}</code>	
ABCdef	<code>\mathit{ABCdef}</code>	
\mathnormal{ABCdef}	<code>\mathnormal{ABCdef}</code>	
\mathcal{ABC}	<code>\mathcal{ABC}</code>	
\mathscr{ABC}	<code>\mathscr{ABC}</code>	<code>mathrsfs</code>
\mathcal{ABC}	<code>\mathcal{ABC}</code>	<code>eucal</code> with option: <code>mathcal</code> or
\mathscr{ABC}	<code>\mathscr{ABC}</code>	<code>eucal</code> with option: <code>mathscr</code>
\mathfrak{ABCdef}	<code>\mathfrak{ABCdef}</code>	<code>eufrak</code>
\mathbb{ABC}	<code>\mathbb{ABC}</code>	<code>amsfonts</code> or <code>amssymb</code>

Chapter 4

Specialities

When putting together a large document, \LaTeX will help you with some special features like index generation, bibliography management, and other things. A much more complete description of specialities and enhancements possible with \LaTeX can be found in the *\LaTeX Manual* [1] and *The \LaTeX Companion* [3].

4.1 Including EPS Graphics

\LaTeX provides the basic facilities to work with floating bodies such as images or graphics, with the `figure` and the `table` environment.

There are also several possibilities to generate the actual graphics with basic \LaTeX or a \LaTeX extension package. Unfortunately, most users find them quite difficult to understand. Therefore this will not be explained any further in this manual. Please refer to *The \LaTeX Companion* [3] and the *\LaTeX Manual* [1] for more information on that subject.

A much easier way to get graphics into a document, is to generate them with a specialised software package¹ and then include the finished graphics into the document. Here again, \LaTeX packages offer many ways to do that. In this introduction, only the use of Encapsulated PostScript (EPS) graphics will be discussed, because it is quite easy to do and widely used. In order to use pictures in the EPS format, you must have a PostScript printer² available for output.

A good set of commands for inclusion of graphics is provided in the `graphicx` package by D. P. Carlisle. It is part of a whole family of packages called the “graphics” bundle³.

¹Such as XFig, CorelDraw!, Freehand, Gnuplot,

²Another possibility to output PostScript is the GHOSTSCRIPT program available from CTAN:/tex-archive/support/ghostscript. Windows users might want to look for GSVIEW

³CTAN:/tex-archive/macros/latex/packages/graphics

Assuming you are working on a system with a PostScript printer available for output and with the `graphicx` package installed, you can use the following step by step guide to include a picture into your document:

1. Export the picture from your graphics program in EPS format.⁴
2. Load the `graphicx` package in the preamble of the input file with

```
\usepackage[driver]{graphicx}
```

where *driver* is the name of your “dvi to postscript” The most widely used program is called `dvips`. The name of the driver is required, because there is no standard on how graphics are included in T_EX. Knowing the name of the *driver*, the `graphicx` package can choose the correct method to insert information about the graphics into the `.dvi` file, so that the printer understands it and can correctly include the `.eps` file.

3. Use the command

```
\includegraphics[key=value, ... ]{file}
```

to include *file* into your document. The optional parameter accepts a comma separated list of *keys* and associated *values*. The *keys* can be used to alter the width, height and rotation of the included graphic. Table 4.1 lists the most important keys.

Table 4.1: Key Names for `graphicx` Package.

<code>width</code>	scale graphic to the specified width
<code>height</code>	scale graphic to the specified height
<code>angle</code>	rotate graphic counterclockwise
<code>scale</code>	scale graphic

The following example code will hopefully make things clear:

```
\begin{figure}
\begin{center}
\includegraphics[angle=90, width=0.5\textwidth]{test}
```

⁴If your software can not export into EPS format, you can try to install a PostScript printer driver (some Apple LaserWriter for example) and then print to a file with this driver. With some luck this file will be in EPS format. Note that an EPS must not contain more than one page. Some printer drivers can be explicitly configured to produce EPS format.

```
\end{center}
\end{figure}
```

This includes the graphic stored in the file `test.eps`. The graphic is *first* rotated by an angle of 90 degrees and *then* scaled to the final width of 0.5 times the width of a standard paragraph. The aspect ratio is 1.0, because no special height is specified. The width and height parameters can also be specified in absolute dimensions. Refer to Table 5.5 on page 69 for more information. If you want to know more about this topic, make sure to read [8] and [11].

4.2 Bibliography

You can produce a bibliography with the `thebibliography` environment. Each entry starts with

```
\bibitem{marker}
```

The *marker* is then used to cite the book, article or paper within the document.

```
\cite{marker}
```

The numbering of the entries is generated automatically. The parameter after the `\begin{thebibliography}` command sets the maximum width of these numbers. In the example below, `{99}` tells L^AT_EX to expect that none of the bibliography item numbers will be wider than the number 99.

```
Partl~\cite{pa} has
proposed that \ldots
```

```
\begin{thebibliography}{99}
\bibitem{pa} H.~Partl:
\emph{German \TeX},
TUGboat Vol.~9, No.~1 ('88)
\end{thebibliography}
```

Partl [1] has proposed that ...

Bibliography

[1] H. Partl: *German T_EX*, TUGboat
Vol. 9, No. 1 ('88)

For larger projects, you might want to check out the Bib \TeX program. Bib \TeX is included with most \TeX distributions. It allows you to maintain a bibliographic database and then extract the references relevant to things you cited in your paper. The visual presentation of Bib \TeX generated bibliographies is based on a style sheets concept which allows you to create bibliographies following a wide range of established designs.

4.3 Indexing

A very useful feature of many books is their index. With \LaTeX and the support program `makeindex`⁵, an index can be generated quite easily. In this introduction, only the basic index generation commands will be explained. For a more in-depth view, please refer to *The \LaTeX Companion* [3].

To enable the indexing feature of \LaTeX , the `makeidx` package must be loaded in the preamble with:

```
\usepackage{makeidx}
```

and the special indexing commands must be enabled by putting the

```
\makeindex
```

command into the input file preamble.

The content of the index is specified with

```
\index{key}
```

commands, where *key* is the index entry. You enter the index commands at the points in the text where you want the final index entries to point to. Table 4.2 explains the syntax of the *key* argument with several examples.

When the input file is processed with \LaTeX , each `\index` command writes an appropriate index entry together with the current page number to a special file. The file has the same name as the \LaTeX input file, but a different extension (`.idx`). This `.idx` file can then be processed with the `makeindex` program.

```
makeindex filename
```

The `makeindex` program generates a sorted index with the same base file name, but this time with the extension `.ind`. If now the \LaTeX input

⁵On systems not necessarily supporting filenames longer than 8 characters, the program may be called `makeidx`.

Table 4.2: Index Key Syntax Examples.

Example	Index Entry	Comment
<code>\index{hello}</code>	hello, 1	Plain entry
<code>\index{hello!Peter}</code>	Peter, 3	Subentry under ‘hello’
<code>\index{Sam@\textsl{Sam}}</code>	<i>Sam</i> , 2	Formatted entry
<code>\index{Lin@\textbf{Lin}}</code>	Lin , 7	Same as above
<code>\index{Jenny textbf}</code>	Jenny, 3	Formatted page number
<code>\index{Joe textit}</code>	Joe, <i>5</i>	Same as above

file is processed again, this sorted index gets included into the document at the point where L^AT_EX finds

```
\printindex
```

The `showidx` package which comes with L^AT_EX 2_ε prints out all index entries in the left margin of the text. This is quite useful for proofreading a document and verifying the index.

4.4 Fancy Headers

The `fancyhdr` package,⁶ written by Piet van Oostrum, provides a few simple commands which allow you to customise the header and footer lines of your document. If you look at the top of this page, you can see a possible application of this package.

The tricky problem when customising headers and footers is to get things like running section and chapter names in there. L^AT_EX accomplishes this with a two-stage approach. In the header and footer definition, you use the commands `\rightmark` and `\leftmark` to represent the current chapter and section heading, respectively. The values of these two commands are overwritten whenever a chapter or section command is processed.

For ultimate flexibility, the `\chapter` command and its friends do not redefine `\rightmark` and `\leftmark` themselves, they call yet another command called `\chaptermark`, `\sectionmark` or `\subsectionmark` which is responsible for redefining `\rightmark` and `\leftmark`.

So, if you wanted to change the look of the chapter name in the header line, you simply have to “renew” the `\chaptermark` command.

Figure 4.1 shows a possible setup for the `fancyhdr` package which makes the headers look about the same as they look in this booklet. In any case

⁶Available from CTAN:/macros/latex/contrib/supported/fancyhdr.

```

\documentclass{book}
\usepackage{fancyhdr}
\pagestyle{fancy}
% with this we ensure that the chapter and section
% headings are in lowercase.
\renewcommand{\chaptermark}[1]{\markboth{#1}{}}
\renewcommand{\sectionmark}[1]{\markright{\thesection\ #1}}
\fancyhf{} % delete current setting for header and footer
\fancyhead[LE,R0]{\bfseries\thepage}
\fancyhead[LO]{\bfseries\rightmark}
\fancyhead[RE]{\bfseries\leftmark}
\renewcommand{\headrulewidth}{0.5pt}
\renewcommand{\footrulewidth}{0pt}
\addtolength{\headheight}{0.5pt} % make space for the rule
\fancypagestyle{plain}{%
  \fancyhead{} % get rid of headers on plain pages
  \renewcommand{\headrulewidth}{0pt} % and the line
}

```

Figure 4.1: Example fancyhdr Setup.

I suggest you fetch the documentation for the package at the address mentioned in the footnote.

4.5 The Verbatim Package

Earlier in this book, you got to know the *verbatim environment*. In this section, you are going to learn about the *verbatim package*. The *verbatim package* is basically a re-implementation of the *verbatim environment*, which works around some of the limitations of the original *verbatim environment*. This by itself is not spectacular, but with the implementation of the *verbatim package*, there was also new functionality added, and this is the reason I am mentioning the package here. The *verbatim package* provides the

`\verbatiminput{filename}`

command which allows you to include raw ASCII text into your document as if it was inside a *verbatim environment*.

As the *verbatim package* is part of the ‘tools’ bundle, you should find it preinstalled on most systems. If you want to know more about this package, make sure to read [9]

Chapter 5

Customising L^AT_EX

Documents produced by using the commands you have learned up to this point will look acceptable to a large audience. While they are not looking fancy, they obey all the established rules of good typesetting, which will make them easy to read and pleasant to look at.

However there are situations where L^AT_EX does not provide a command or environment which matches your needs, or the output produced by some existing command may not meet your requirements.

In this chapter, I will try to give some hints on how to teach L^AT_EX new tricks and how to make it produce output which looks different than what is provided by default.

5.1 New Commands, Environments and Packages

You may have noticed that all the commands I introduce in this book are typeset in a box, and that they show up in the index at the end of the book. Instead of directly using the necessary L^AT_EX commands to achieve this, I have created a package in which I defined new commands and environments for this purpose. Now I can simply write:

```
\begin{command}  
\ci{dum}  
\end{command}
```



\dum

In this example, I am using both a new environment called `command` which is responsible for drawing the box around the command and a new command named `\ci` which typesets the command name and also makes a corresponding entry in the index. You can check this out by looking up the `\dum` command in the index at the back of this book, where you'll find an entry for `\dum`, pointing to every page where I mentioned the `\dum` command.

If I ever decide that I do not like the commands to be typeset in a box any more, I can simply change the definition of the `command` environment to create a new look. This is much easier than going through the whole document to hunt down all the places where I have used some generic L^AT_EX commands to draw a box around some word.

5.1.1 New Commands

To add your own commands, use the

```
\newcommand{name}[num]{definition}
```

command. Basically, the command requires two arguments: the *name* of the command you want to create, and the *definition* of the command. The *num* argument in square brackets is optional. You can use it to create new commands which themselves take up to 9 arguments.

The following two examples should help you to get the idea. The first example defines a new command called `\tnss`. This is short for “The Not So Short Introduction to L^AT_EX 2_ε”. Such a command could come in handy if you had to write the title of this book over and over again.

```
\newcommand{\tnss}{The not
  so Short Introduction to
  \LaTeXe}
This is ‘‘\tnss’’ \ldots{}
```

```
This is “The not so Short Introduction to
LATEX 2ε” ... “The not so Short Introduc-
tion to LATEX 2ε”
```

The next example illustrates how to use the *num* argument. The `#1` tag gets replaced by the argument you specify. If you wanted to use more than one argument, use `#2` and so on.

```
\newcommand{\txsit}[1]
{This is the \emph{#1} Short
  Introduction to \LaTeXe}
% in the document body:
\begin{itemize}
\item \txsit{not so}
\item \txsit{very}
\end{itemize}
```

- ```
• This is the not so Short Introduction
to LATEX 2ε
• This is the very Short Introduction to
LATEX 2ε
```

L<sup>A</sup>T<sub>E</sub>X will not allow you to create a new command which would overwrite an existing one. But there is a special command in case you explicitly want this: `\renewcommand`. It uses the same syntax as the `\newcommand` command.

In certain cases, you might also want to use the `\providecommand` command. It works like `\newcommand`, but if the command is already defined, L<sup>A</sup>T<sub>E</sub>X 2<sub>ε</sub> will silently ignore it.

### 5.1.2 New Environments

Similar to the `\newcommand` command, there is also a command to create your own environments. The `\newenvironment` command uses the following syntax:

```
\newenvironment{name}[num]{before}{after}
```

Like the `\newcommand` command, you can use `\newenvironment` with an optional argument or without. The material specified in the *before* argument is processed before the text in the environment gets processed. The material in the *after* argument gets processed when the `\end{name}` command is encountered.

The example below illustrates the usage of the `\newenvironment` command.

```
\newenvironment{king}
{\rule{1ex}{1ex}%
 \hspace{\stretch{1}}}
{\hspace{\stretch{1}}%
 \rule{1ex}{1ex}}
```

■ My humble subjects ... ■

```
\begin{king}
My humble subjects \ldots
\end{king}
```

The *num* argument is used the same way as in the `\newcommand` command.  $\LaTeX$  makes sure that you do not define an environment which already exists. If you ever want to change an existing command, you can use the `\renewenvironment` command. It uses the same syntax as the `\newenvironment` command.

The commands used in this example will be explained later: For the `\rule` command see page 75, for `\stretch` go to page 68, and more information on `\hspace` can be found on page 68.

### 5.1.3 Your own Package

If you define a lot of new environments and commands, the preamble of your document will get quite long. In this situation, it is a good idea to create a  $\LaTeX$  package containing all your command and environment definitions. You can then use the `\usepackage` command to make the package available in your document.

Writing a package consists basically in copying the contents of your document preamble into a separate file with a name ending in `.sty`. There is

---

```
% Demo Package by Tobias Oetiker
\ProvidesPackage{demopack}
\newcommand{\tnss}{The not so Short Introduction to \LaTeXe}
\newcommand{\txsit}[1]{The \emph{#1} Short
 Introduction to \LaTeXe}
\newenvironment{king}{\begin{quote}}{\end{quote}}
```

---

Figure 5.1: Example Package.

one special command,

`\ProvidesPackage{package name}`

for use at the very beginning of your package file. `\ProvidesPackage` tells L<sup>A</sup>T<sub>E</sub>X the name of the package and will allow it to issue a sensible error message when you try to include a package twice. Figure 5.1 shows a small example package which contains the commands defined in the examples above.

## 5.2 Fonts and Sizes

### 5.2.1 Font changing Commands

L<sup>A</sup>T<sub>E</sub>X chooses the appropriate font and font size based on the logical structure of the document (sections, footnotes, ...). In some cases, one might like to change fonts and sizes by hand. To do this, you can use the commands listed in Tables 5.1 and 5.2. The actual size of each font is a design issue and depends on the document class and its options. Table 5.3 shows the absolute point size for these commands as implemented in the standard document classes.

```
{\small The small and
\textbf{bold} Romans ruled}
{\Large all of great big
\textit{Italy}.}
```

The small and **bold** Romans ruled all of great big *Italy*.

One important feature of L<sup>A</sup>T<sub>E</sub>X 2<sub>ε</sub> is, that the font attributes are independent. This means, that you can issue size or even font changing commands and still keep the bold or slant attribute set earlier.

In *math mode* you can use the font changing *commands* to temporarily exit *math mode* and enter some normal text. If you want to switch to another font for math typesetting there exists another special set of commands. Refer to Table 5.4.

Table 5.1: Fonts.

|                           |                   |                               |                  |
|---------------------------|-------------------|-------------------------------|------------------|
| <code>\textrm{...}</code> | roman             | <code>\textsf{...}</code>     | sans serif       |
| <code>\texttt{...}</code> | typewriter        |                               |                  |
| <code>\textmd{...}</code> | medium            | <code>\textbf{...}</code>     | <b>bold face</b> |
| <code>\textup{...}</code> | upright           | <code>\textit{...}</code>     | <i>italic</i>    |
| <code>\textsl{...}</code> | <i>slanted</i>    | <code>\textsc{...}</code>     | SMALL CAPS       |
| <code>\emph{...}</code>   | <i>emphasized</i> | <code>\textnormal{...}</code> | document font    |

Table 5.2: Font Sizes.

|                            |                  |                     |                 |
|----------------------------|------------------|---------------------|-----------------|
| <code>\tiny</code>         | tiny font        | <code>\Large</code> | larger font     |
| <code>\scriptsize</code>   | very small font  | <code>\LARGE</code> | very large font |
| <code>\footnotesize</code> | quite small font |                     |                 |
| <code>\small</code>        | small font       | <code>\huge</code>  | huge            |
| <code>\normalsize</code>   | normal font      |                     |                 |
| <code>\large</code>        | large font       | <code>\Huge</code>  | largest         |

Table 5.3: Absolute Point Sizes in Standard Classes.

| size                       | 10pt (default) | 11pt option | 12pt option |
|----------------------------|----------------|-------------|-------------|
| <code>\tiny</code>         | 5pt            | 6pt         | 6pt         |
| <code>\scriptsize</code>   | 7pt            | 8pt         | 8pt         |
| <code>\footnotesize</code> | 8pt            | 9pt         | 10pt        |
| <code>\small</code>        | 9pt            | 10pt        | 11pt        |
| <code>\normalsize</code>   | 10pt           | 11pt        | 12pt        |
| <code>\large</code>        | 12pt           | 12pt        | 14pt        |
| <code>\Large</code>        | 14pt           | 14pt        | 17pt        |
| <code>\LARGE</code>        | 17pt           | 17pt        | 20pt        |
| <code>\huge</code>         | 20pt           | 20pt        | 25pt        |
| <code>\Huge</code>         | 25pt           | 25pt        | 25pt        |

In connection with the font size commands, curly braces play a significant role. They are used to build *groups*. Groups limit the scope of most L<sup>A</sup>T<sub>E</sub>X commands.

```
He likes {\LARGE large and
{\small small} letters}.
```

He likes large and small letters.

The font size commands also change the line spacing, but only if the paragraph ends within the scope of the font size command. The closing curly brace } should therefore not come too early. Note the position of the `\par` command in the next two examples.

```
{\Large Don't read this! It is not
true. You can believe me!\par}
```

Don't read this! It is not true.  
You can believe me!

```
{\Large This is not true either.
But remember I am a liar.}\par
```

This is not true either. But re-  
member I am a liar.

If you want to activate a size changing command for a whole paragraph of text or even more, you might want to use the environment syntax for font changing commands.

```
\begin{Large}
This is not true.
But then again, what is these
days \ldots
\end{Large}
```

This is not true. But then again,  
what is these days ...

Table 5.4: Math Fonts.

| <i>Command</i>                | <i>Example</i>                                    | <i>Output</i>         |
|-------------------------------|---------------------------------------------------|-----------------------|
| <code>\mathcal{...}</code>    | <code>\$\$\mathcal{B}=c\$</code>                  | $\mathcal{B} = c$     |
| <code>\mathrm{...}</code>     | <code>\$\$\mathrm{K}_2\$</code>                   | $K_2$                 |
| <code>\mathbf{...}</code>     | <code>\$\$\sum x=\mathbf{v}\$</code>              | $\sum x = \mathbf{v}$ |
| <code>\mathsf{...}</code>     | <code>\$\$\mathsf{G}\times R\$</code>             | $G \times R$          |
| <code>\mathtt{...}</code>     | <code>\$\$\mathtt{L}(b,c)\$</code>                | $L(b, c)$             |
| <code>\mathnormal{...}</code> | <code>\$\$\mathnormal{R_{19}}\neq R_{19}\$</code> | $R_{19} \neq R_{19}$  |
| <code>\mathit{...}</code>     | <code>\$\$\mathit{ffi}\neq ffi\$</code>           | $ffi \neq ffi$        |



This will save you from counting lots of curly braces.

### 5.2.2 Danger, Will Robinson, Danger

As noted at the beginning of this chapter, it is dangerous to clutter your document with explicit commands like this, because they work in opposition to the basic idea of L<sup>A</sup>T<sub>E</sub>X, which is to separate the logical and visual markup of your document. This means that if you use the same font changing command in several places in order to typeset a special kind of information, you should use `\newcommand` to define a “logical wrapper command” for the font changing command.

```
\newcommand{\oops}[1]{\textbf{#1}}
Do not \oops{enter} this room,
it's occupied by a \oops{machine}
of unknown origin and purpose.
```

Do not **enter** this room, it's occupied by a **machine** of unknown origin and purpose.

This approach has the advantage that you can decide at some later stage whether you want to use some other visual representation of danger than `\textbf` without having to wade through your document, identifying all the occurrences of `\textbf` and then figuring out for each one whether it was used for pointing out danger or for some other reason.

### 5.2.3 Advice

To conclude this journey into the land of fonts and font sizes, here is a little word of advice:

**Remember!** *The **MO**RE fonts **YOU** use in a document, the more READABLE and *beautiful it becomes*.*

## 5.3 Spacing

### 5.3.1 Line Spacing

If you want to use larger inter-line spacing in a document, you can change its value by putting the

```
\linespread{factor}
```

command into the preamble of your document. Use `\linespread{1.3}` for “one and a half” line spacing, and `\linespread{1.6}` for “double” line spacing. Normally the lines are not spread, therefore the default line spread factor is 1.

### 5.3.2 Paragraph Formatting

In L<sup>A</sup>T<sub>E</sub>X, there are two parameters influencing paragraph layout. By placing a definition like

```
\setlength{\parindent}{0pt}
\setlength{\parskip}{1ex plus 0.5ex minus 0.2ex}
```

in the preamble of the input file, you can change the layout of paragraphs. These two commands increase the space between two paragraphs while setting the paragraph indent to zero. In continental Europe, paragraphs are often separated by some space and not indented. But beware, this also has its effect on the table of contents. Its lines get spaced more loosely now as well. To avoid this, you might want to move the two commands from the preamble into your document to some place after the `\tableofcontents` or to not use them at all, because you'll find that most professional books use indenting and not spacing to separate paragraphs.

If you want to indent a paragraph which is not indented, you can use

```
\indent
```

at the beginning of the paragraph.<sup>1</sup> Obviously, this will only have an effect when `\parindent` is not set to zero.

To create a non-indented paragraph, you can use

```
\noindent
```

as the first command of the paragraph. This might come in handy when you start a document with body text and not with a sectioning command.

### 5.3.3 Horizontal Space

L<sup>A</sup>T<sub>E</sub>X determines the spaces between words and sentences automatically. To add horizontal space, use:

```
\hspace{length}
```

If such a space should be kept even if it falls at the end or the start of a line, use `\hspace*` instead of `\hspace`. The *length* in the simplest case just is a number plus a unit. The most important units are listed in Table 5.5.

This `\hspace{1.5cm}` is a space  
of 1.5 cm.

```
This is a space of 1.5 cm.
```

---

<sup>1</sup>To indent the first paragraph after each section head, use the `indentfirst` package in the 'tools' bundle.

Table 5.5: T<sub>E</sub>X Units.

|    |                                                    |   |
|----|----------------------------------------------------|---|
| mm | millimetre $\approx 1/25$ inch                     | □ |
| cm | centimetre = 10 mm                                 | □ |
| in | inch = 25.4 mm                                     | □ |
| pt | point $\approx 1/72$ inch $\approx \frac{1}{3}$ mm | □ |
| em | approx width of an ‘M’ in the current font         | □ |
| ex | approx height of an ‘x’ in the current font        | □ |

The command

```
\stretch{n}
```

generates a special rubber space. It stretches until all the remaining space on a line is filled up. If two `\hspace{\stretch{n}}` commands are issued on the same line, they grow according to the stretch factor.

```
x\hspace{\stretch{1}}
x\hspace{\stretch{3}}x
```

```
x x x
```

### 5.3.4 Vertical Space

The space between paragraphs, sections, subsections, ... is determined automatically by L<sup>A</sup>T<sub>E</sub>X. If necessary, additional vertical space *between two paragraphs* can be added with the command:

```
\vspace{length}
```

This command should normally be used between two empty lines. If the space should be preserved at the top or at the bottom of a page, use the starred version of the command `\vspace*` instead of `\vspace`.

The `\stretch` command in connection with `\pagebreak` can be used to typeset text on the last line of a page, or to centre text vertically on a page.

```
Some text \ldots
```

```
\vspace{\stretch{1}}
```

```
This goes onto the last line of the page.\pagebreak
```

Additional space between two lines of *the same* paragraph or within a table is specified with the

```
\[length]
```

command.

## 5.4 Page Layout

L<sup>A</sup>T<sub>E</sub>X 2<sub>ε</sub> allows you to specify the paper size in the `\documentclass` command. It then automatically picks the right text margins. But sometimes you may not be happy with the predefined values. Naturally, you can change them. Figure 5.2 shows all the parameters which can be changed. The figure was produced with the layout package from the tools bundle<sup>2</sup>.

**WAIT!** . . . before you launch into a “Let’s make that narrow page a bit wider” frenzy, take a few seconds to think. As with most things in L<sup>A</sup>T<sub>E</sub>X, there is a good reason for the page layout to be as it is.

Sure, compared to your off-the-shelf MS Word page, it looks awfully narrow. But take a look at your favourite book<sup>3</sup> and count the number of characters on a standard text line. You will find that there are no more than about 66 characters on each line. Now do the same on your L<sup>A</sup>T<sub>E</sub>X page. You will find that there are also about 66 characters per line. Experience shows that the reading gets difficult as soon as there are more characters on a single line. This is because it is difficult for the eyes to move from the end of one line to the start of the next one. This is also the reason why newspapers are typeset in multiple columns.

So if you increase the width of your body text, keep in mind that you are making life difficult for the readers of your paper. But enough of the cautioning, I promised to tell you how you do it . . .

L<sup>A</sup>T<sub>E</sub>X provides two commands to change these parameters. They are usually used in the document preamble.

The first command assigns a fixed value to any of the parameters:

```
\setlength{parameter}{length}
```

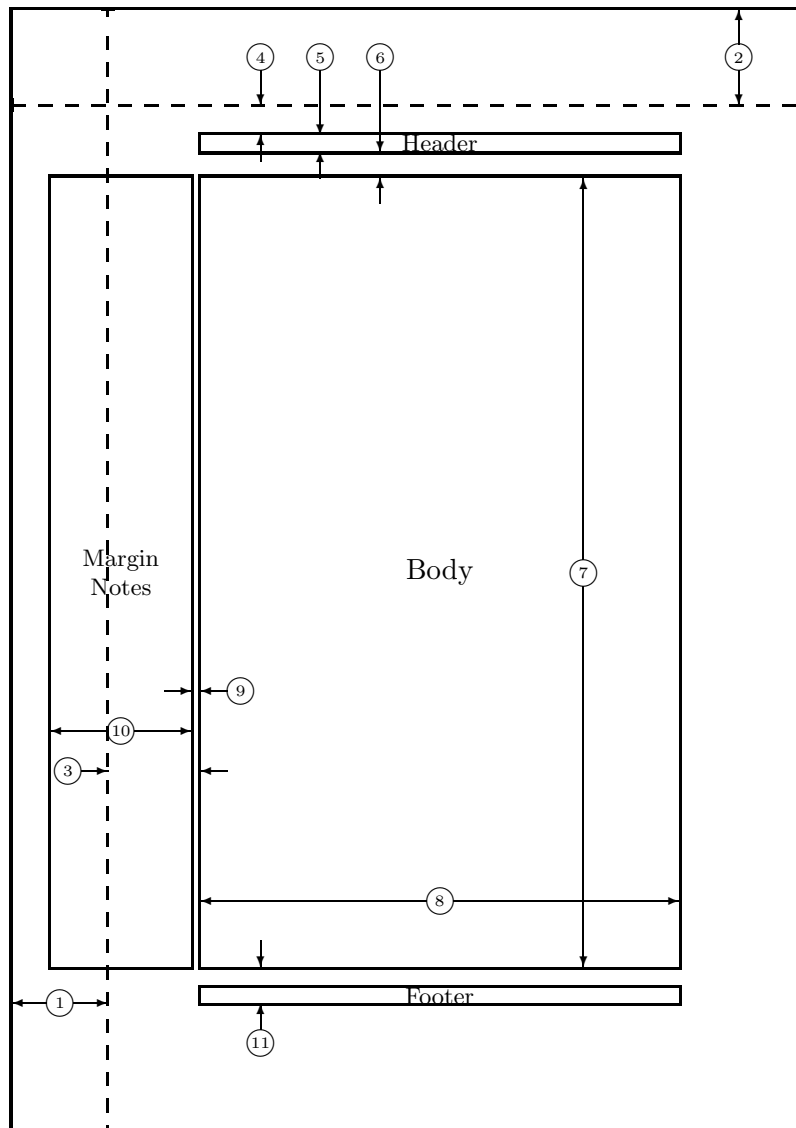
The second command adds a length to any of the parameters.

```
\addtolength{parameter}{length}
```

This second command is actually more useful than the `\setlength` command, because you can now work relative to the existing settings. To add

<sup>2</sup>CTAN:/tex-archive/macros/latex/packages/tools

<sup>3</sup>I mean a real printed book produced by a reputable publisher.



|    |                                     |    |                                               |
|----|-------------------------------------|----|-----------------------------------------------|
| 1  | one inch + <code>\hoffset</code>    | 2  | one inch + <code>\voffset</code>              |
| 3  | <code>\evensidemargin = 70pt</code> | 4  | <code>\topmargin = 22pt</code>                |
| 5  | <code>\headheight = 13pt</code>     | 6  | <code>\headsep = 19pt</code>                  |
| 7  | <code>\textheight = 595pt</code>    | 8  | <code>\textwidth = 360pt</code>               |
| 9  | <code>\marginparsep = 7pt</code>    | 10 | <code>\marginparwidth = 106pt</code>          |
| 11 | <code>\footskip = 27pt</code>       |    | <code>\marginparpush = 5pt</code> (not shown) |
|    | <code>\hoffset = 0pt</code>         |    | <code>\voffset = 0pt</code>                   |
|    | <code>\paperwidth = 597pt</code>    |    | <code>\paperheight = 845pt</code>             |

Figure 5.2: Page Layout Parameters.

one centimetre to the overall text width, I put the following commands into the document preamble:

```
\addtolength{\hoffset}{-0.5cm}
\addtolength{\textwidth}{1cm}
```

In this context, you might want to look at the `calc` package, it allows you to use arithmetic operations in the argument of `setlength` and other places where you can enter numeric values into function arguments.

## 5.5 More fun with lengths

Whenever possible, I avoid using absolute lengths in L<sup>A</sup>T<sub>E</sub>X documents. I rather try to base things on the width or height of other page elements. For the width of a figure this could be `\textwidth` in order to make it fill the page.

The following 3 commands allow you to determine the width, height and depth of a text string.

|                                                                                              |
|----------------------------------------------------------------------------------------------|
| <pre>\settoheight{command}{text} \settodepth{command}{text} \settowidth{command}{text}</pre> |
|----------------------------------------------------------------------------------------------|

The example below shows a possible application of these commands.

```
\flushleft
\newenvironment{vardesc}[1]{%
 \settowidth{\parindent}{#1:\ }
 \makebox[0pt][r]{#1:\ }}{}

\begin{displaymath}
a^2+b^2=c^2
\end{displaymath}

\begin{vardesc}{Where}a,
b -- are adjunct to the right
angle of a right-angled triangle.

c -- is the hypotenuse of
the triangle and feels lonely.

d -- finally does not show up
here at all. Isn't that puzzling?
\end{vardesc}
```

$$a^2 + b^2 = c^2$$

Where:  $a$ ,  $b$  – are adjunct to the right angle of a right-angled triangle.

$c$  – is the hypotenuse of the triangle and feels lonely.

$d$  – finally does not show up here at all. Isn't that puzzling?

## 5.6 Boxes

L<sup>A</sup>T<sub>E</sub>X builds up its pages by pushing around boxes. At first, each letter is a little box, which is then glued to other letters to form words. These are again glued to other words, but with special glue, which is elastic so that a series of words can be squeezed or stretched as to exactly fill a line on the page.

I admit, this is a very simplistic version of what really happens, but the point is that T<sub>E</sub>X operates on glue and boxes. Not only a letter can be a box. You can put virtually everything into a box including other boxes. Each box will then be handled by L<sup>A</sup>T<sub>E</sub>X as if it was a single letter.

In the past chapters you have already encountered some boxes, although I did not tell you. The `tabular` environment and the `\includegraphics`, for example, both produce a box. This means that you can easily arrange two tables or images side by side. You just have got make sure that their combined width is not larger than the `textwidth`.

You can also pack a paragraph of your choice into a box with either the

```
\parbox[pos]{width}{text}
```

command or the

```
\begin{minipage}[pos]{width} text \end{minipage}
```

environment. The `pos` parameter can take one of the letters `c`, `t` or `b` to control the vertical alignment of the box, relative to the baseline of the surrounding text. `width` takes a length argument specifying the width of the box. The main difference between a `minipage` and a `parbox` is that you cannot use all commands and environments inside a `parbox` while almost anything is possible in a `minipage`.

While `\parbox` packs up a whole paragraph doing line breaking and everything, there is also a class of boxing commands which operates only on horizontally aligned material. We already know one of them. It's called `\mbox`, it simply packs up a series of boxes into another one, and can be used to prevent L<sup>A</sup>T<sub>E</sub>X from breaking two words. As you can put boxes inside boxes, these horizontal box packers give you ultimate flexibility.

```
\makebox[width][pos]{text}
```

`width` defines the width of the resulting box as seen from the outside.<sup>4</sup> Apart from the length expressions you can also use `\width`, `\height`, `\depth` and

---

<sup>4</sup>This means it can be smaller than the material inside the box. You can even set the width to `0pt` so that the text inside the box will be typeset without influencing the surrounding boxes.

`\totalheight` in the width parameter. They are set from values obtained by measuring the typeset *text*. The *pos* parameter takes a one letter value: center, left flush, right flush or *s* which spreads the text inside the box to fill it.

The command `\framebox` works exactly the same as `\makebox`, but it draws a box around the text.

The following example shows you some things you could do with the `\makebox` and `\framebox` commands.

```
\makebox[\textwidth]{%
 c e n t r a l}\par
\makebox[\textwidth][s]{%
 s p r e a d}\par
\framebox[1.1\width]{Guess I'm
 framed now!} \par
\framebox[0.8\width][r]{Bummer,
 I am to wide} \par
\framebox[1cm][l]{never
 mind, so am I}
Can you read this?
```

Now that we control the horizontal, the obvious next step is to go for the vertical.<sup>5</sup> No problem for L<sup>A</sup>T<sub>E</sub>X. The

```
\raisebox{lift}[depth][height]{text}
```

command lets you define the vertical properties of a box. You can use `\width`, `\height`, `\depth` and `\totalheight` in the first three parameters, in order to act upon the size of the box inside the *text* argument.

```
\raisebox{0pt}[0pt][0pt]{\Large%
\textbf{Aaaa}\raisebox{-0.3ex}{a}%
\raisebox{-0.7ex}{aa}%
\raisebox{-1.2ex}{r}%
\raisebox{-2.2ex}{g}%
\raisebox{-4.5ex}{h}}
he shouted but not even the next
one in line noticed that something
terrible had happened to her.
```

---

<sup>5</sup>total control is only to be obtained by controlling both the horizontal and the vertical  
 ...



## 5.7 Rules and Struts

A few pages back you may have noticed the command

```
\rule[lift]{width}{height}
```

In normal use it produces a simple black box.

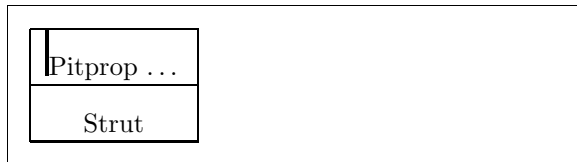
```
\rule{3mm}{.1pt}%
\rule[-1mm]{5mm}{1cm}%
\rule{3mm}{.1pt}%
\rule[1mm]{1cm}{5mm}%
\rule{3mm}{.1pt}
```



This is useful for drawing vertical and horizontal lines. The line on the title page for example, has been created with a `\rule` command.

A special case is a rule with no width but a certain height. In professional typesetting, this is called a strut. It is used to guarantee that an element on a page has a certain minimal height. You could use it in a `tabular` environment to make sure a row has a certain minimum height.

```
\begin{tabular}{|c|}
\hline
\rule{1pt}{4ex}Pitprop \ldots\
\hline
\rule{0pt}{4ex}Strut\
\hline
\end{tabular}
```





# Bibliography

- [1] Leslie Lamport. *L<sup>A</sup>T<sub>E</sub>X: A Document Preparation System*. Addison-Wesley, Reading, Massachusetts, second edition, 1994, ISBN 0-201-52983-1.
- [2] Donald E. Knuth. *The T<sub>E</sub>Xbook*, Volume A of *Computers and Typesetting*, Addison-Wesley, Reading, Massachusetts, second edition, 1984, ISBN 0-201-13448-9.
- [3] Michel Goossens, Frank Mittelbach and Alexander Samarin. *The L<sup>A</sup>T<sub>E</sub>X Companion*. Addison-Wesley, Reading, Massachusetts, 1994, ISBN 0-201-54199-8.
- [4] Each L<sup>A</sup>T<sub>E</sub>X installation should provide a so-called *L<sup>A</sup>T<sub>E</sub>X Local Guide* which explains the things which are special to the local system. It should be contained in a file called `local.tex`. Unfortunately, some lazy sysops do not provide such a document. In this case, go and ask your local L<sup>A</sup>T<sub>E</sub>X guru for help.
- [5] L<sup>A</sup>T<sub>E</sub>X3 Project Team. *L<sup>A</sup>T<sub>E</sub>X 2<sub>ε</sub> for authors*. Comes with the L<sup>A</sup>T<sub>E</sub>X 2<sub>ε</sub> distribution as `usrguide.tex`.
- [6] L<sup>A</sup>T<sub>E</sub>X3 Project Team. *L<sup>A</sup>T<sub>E</sub>X 2<sub>ε</sub> for Class and Package writers*. Comes with the L<sup>A</sup>T<sub>E</sub>X 2<sub>ε</sub> distribution as `clsguide.tex`.
- [7] L<sup>A</sup>T<sub>E</sub>X3 Project Team. *L<sup>A</sup>T<sub>E</sub>X 2<sub>ε</sub> Font selection*. Comes with the L<sup>A</sup>T<sub>E</sub>X 2<sub>ε</sub> distribution as `fntguide.tex`.
- [8] D. P. Carlisle. *Packages in the ‘graphics’ bundle*. Comes with the ‘graphics’ bundle as `grfguide.tex`, available from the same source your L<sup>A</sup>T<sub>E</sub>X distribution came from.
- [9] Rainer Schöpf, Bernd Raichle, Chris Rowley. *A New Implementation of L<sup>A</sup>T<sub>E</sub>X’s verbatim Environments*. Comes with the ‘tools’ bundle as `verbatim.dtx`, available from the same source your L<sup>A</sup>T<sub>E</sub>X distribution came from.

- [10] Graham Williams. *The TeX Catalogue* is a very complete listing of may T<sub>E</sub>X and L<sup>A</sup>T<sub>E</sub>X related packages. Available online from [CTAN:/help/Catalogue/catalogue.html](http://CTAN:/help/Catalogue/catalogue.html)
  
- [11] Keith Reckdahl. *Using EPS Graphics in L<sup>A</sup>T<sub>E</sub>X 2<sub>ε</sub> Documents* which explains everything and much more than you ever wanted to know about EPS files and their use in L<sup>A</sup>T<sub>E</sub>X documents. Available online from [CTAN:/info/epslatex.ps](http://CTAN:/info/epslatex.ps)

# Index

- \!, 41
- " , 19
- \$ , 35
- ' , 38
- \( , 35
- \) , 35
- \ , 36, 41
- , 19
- , 19
- \- , 18
- , 19
- , 19
- ., space after, 22
- ... , 20
- \: , 41
- \; , 41
- \@ , 22
- \[ , 36
- \\ , 17, 27–29, 70
- \\\* , 17
- \] , 36
- ˆ , 38
- , 38
- | , 29
- ~ , 22
  
- A4 paper, 9
- A5 paper, 9
- accent, 20
- acute, 21
- \addtolength, 70
- advantages of L<sup>A</sup>T<sub>E</sub>X, 3
- æ, 21
- amssyb, 46
- amsmath, 40, 41, 43, 46
- amssymb, 37, 47
- \and, 24
- \appendix, 23
- array, 42
- arrow symbols, 38
- article class, 8
- \atop, 39
- \author, 24
  
- B5 paper, 9
- babel, 21
- \backmatter, 24
- backslash, 6
- \backslash, 5
- base font size, 9
- \begin, 26
- \bibitem, 57
- bibliography, 57
- \Big, 40
- \big, 40
- \Bigg, 40
- \bigg, 40
- blackboard bold, 37
- \bmod, 39
- bold face, 65
- bold symbols, 37, 45
- \boldmath, 45
- \boldsymbol, 46
- book class, 8
- braces, 40
  
- calc, 72
- \caption, 32
- \cdots, 40
- center, 27
- \chapter, 23

---

`\chaptermark`, 59  
`\choose`, 39  
`\ci`, 61  
`\cite`, 57  
`\cleardoublepage`, 33  
`\clearpage`, 33  
coloured text, 10  
comma, 20  
command, 61  
commands, 5  
  `\!`, 41  
  `\(`, 35  
  `\)`, 35  
  `\,`, 36, 41  
  `\-`, 18  
  `\:`, 41  
  `\;`, 41  
  `\@`, 22  
  `\[`, 36  
  `\`, 17, 27–29, 70  
  `\*`, 17  
  `\]`, 36  
`\addtolength`, 70  
`\and`, 24  
`\appendix`, 23  
`\atop`, 39  
`\author`, 24  
`\backmatter`, 24  
`\backslash`, 5  
`\begin`, 26  
`\bibitem`, 57  
`\Big`, 40  
`\big`, 40  
`\Bigg`, 40  
`\bigg`, 40  
`\bmod`, 39  
`\boldmath`, 45  
`\boldsymbol`, 46  
`\caption`, 32  
`\cdots`, 40  
`\chapter`, 23  
`\chaptermark`, 59  
`\choose`, 39  
`\ci`, 61  
`\cite`, 57  
`\cleardoublepage`, 33  
`\clearpage`, 33  
`\date`, 24  
`\ddots`, 40  
`\depth`, 73, 74  
`\displaystyle`, 43  
`\documentclass`, 8, 10, 18  
`\dum`, 61  
`\emph`, 26, 65  
`\end`, 26  
`\footnote`, 25  
`\footnotesize`, 65  
`\frac`, 39  
`\framebox`, 74  
`\frenchspacing`, 23  
`\frontmatter`, 24  
`\fussy`, 18  
`\height`, 73, 74  
`\hline`, 29  
`\hspace`, 63, 68  
`\Huge`, 65  
`\huge`, 65  
`\hyphenation`, 18  
`\idotsint`, 41  
`\iiiint`, 41  
`\iiint`, 41  
`\iint`, 41  
`\include`, 12, 13  
`\includegraphics`, 56, 73  
`\includeonly`, 13  
`\indent`, 68  
`\index`, 58  
`\input`, 13  
`\int`, 39  
`\item`, 26  
`\label`, 25, 36  
`\LARGE`, 65  
`\Large`, 65  
`\large`, 65  
`\ldots`, 20, 40  
`\left`, 40  
`\leftmark`, 59  
`\linebreak`, 17

---

`\linespread`, 67  
`\listoffigures`, 32  
`\listoftables`, 32  
`\mainmatter`, 24  
`\makebox`, 73, 74  
`\makeindex`, 58  
`\maketitle`, 24  
`\mathbb`, 37  
`\mathbf`, 66  
`\mathcal`, 66  
`\mathit`, 66  
`\mathnormal`, 66  
`\mathrm`, 43, 66  
`\mathsf`, 66  
`\mathtt`, 66  
`\mbox`, 19, 20, 73  
`\multicolumn`, 30  
`\newcommand`, 62  
`\newenvironment`, 63  
`\newline`, 17  
`\newpage`, 17  
`\newtheorem`, 44  
`\noindent`, 68  
`\nolinebreak`, 17  
`\nonumber`, 43  
`\nopagebreak`, 17  
`\normalsize`, 65  
`\overbrace`, 38  
`\overleftarrow`, 38  
`\overline`, 38  
`\overrightarrow`, 38  
`\pagebreak`, 17  
`\pageref`, 25  
`\pagestyle`, 12  
`\paragraph`, 23  
`\parbox`, 73  
`\parindent`, 68  
`\parskip`, 68  
`\part`, 23  
`\pmod`, 39  
`\printindex`, 59  
`\providecommand`, 62  
`\ProvidesPackage`, 64  
`\qqquad`, 36, 41  
`\quad`, 36, 41  
`\raisebox`, 74  
`\ref`, 25, 36  
`\renewcommand`, 62  
`\renewenvironment`, 63  
`\right`, 40, 42  
`\right.`, 40  
`\rightmark`, 59  
`\rule`, 63, 75  
`\scriptscriptstyle`, 43  
`\scriptsize`, 65  
`\scriptstyle`, 43  
`\section`, 23  
`\sectionmark`, 59  
`\setlength`, 68, 70  
`\settodepth`, 72  
`\settoheight`, 72  
`\settowidth`, 72  
`\sloppy`, 18  
`\small`, 65  
`\sqrt`, 38  
`\stretch`, 63, 69  
`\subparagraph`, 23  
`\subsection`, 23  
`\subsectionmark`, 59  
`\subsubsection`, 23  
`\sum`, 39  
`\tableofcontents`, 24  
`\textbf`, 65  
`\textit`, 65  
`\textmd`, 65  
`\textnormal`, 65  
`\textrm`, 43, 65  
`\textsc`, 65  
`\textsf`, 65  
`\textsl`, 65  
`\textstyle`, 43  
`\texttt`, 65  
`\textup`, 65  
`\thispagestyle`, 12  
`\tiny`, 65  
`\title`, 24  
`\tnss`, 62  
`\totalheight`, 74

- `\underbrace`, 38
- `\underline`, 38
- `\usepackage`, 10, 21, 22, 63
- `\vdots`, 40
- `\vec`, 38
- `\verb`, 28, 29
- `\verbatiminput`, 60
- `\vspace`, 69
- `\widehat`, 38
- `\widetilde`, 38
- `\width`, 73, 74
- comments, 6
- cross-references, 25
- curly braces, 6, 66
- dash, 19
- `\date`, 24
- `dcolumn`, 30
- `\ddots`, 40
- decimal alignment, 30
- delimiters, 40
- `\depth`, 73, 74
- description, 26
- diagonal dots, 40
- dimensions, 68
- `displaymath`, 36
- `\displaystyle`, 43
- doc, 11
- document font size, 9
- document title, 9
- `\documentclass`, 8, 10, 18
- dotless and j, 21
- double line spacing, 67
- double sided, 9
- `\dum`, 61
- ellipsis, 20
- em-dash, 19
- `\emph`, 26, 65
- empty, 12
- en-dash, 19
- Encapsulated PostScript, 55
- `\end`, 26
- enumerate, 26
- environments
  - array, 42
  - center, 27
  - command, 61
  - description, 26
  - `displaymath`, 36
  - enumerate, 26
  - `eqnarray`, 42
  - equation, 36
  - figure, 31, 32
  - `flushleft`, 27
  - `flushright`, 27
  - itemize, 26
  - math, 35
  - minipage, 73
  - parbox, 73
  - quotation, 28
  - quote, 28
  - table, 31, 32
  - tabular, 29, 73
  - `thebibliography`, 57
  - verbatim, 28, 60
  - verse, 28
- `eqnarray`, 42
- equation, 36
- equation system, 42
- eucal, 53
- eufrak, 53
- executive paper, 9
- exponent, 38
- exscale, 11, 40
- fancyhdr, 59, 60
- figure, 31, 32
- floating bodies, 31
- `flushleft`, 27
- `flushright`, 27
- foiltex, 8
- font, 64
- font encoding, 11
- font size, 64, 65
- fontenc, 11, 22
- footer, 12
- `\footnote`, 25



- `\footnotesize`, 65
  - formulae, 35
- `\frac`, 39
  - fraction, 39
- `\framebox`, 74
- `\frenchspacing`, 23
- `\frontmatter`, 24
- `\fussy`, 18
  
- German, 21
- GhostScript, 55
- graphics, 10, 55
- graphicx, 55
- grave, 21
- Greek letters, 37
- grouping, 66
  
- header, 12
  - textttheadings, 12
- `\height`, 73, 74
- `\hline`, 29
  - horizontal
    - brace, 38
    - dots, 40
    - line, 38
    - space, 68
- `\hspace`, 63, 68
- `\Huge`, 65
- `\huge`, 65
  - hyphen, 19
- `\hyphenation`, 18
  
- `\idotsint`, 41
  - ifthen, 11
- `\iiiint`, 41
- `\iiint`, 41
- `\iint`, 41
- `\include`, 12, 13
- `\includegraphics`, 56, 73
- `\includeonly`, 13
- `\indent`, 68
  - indentfirst, 68
  - index, 58
- `\index`, 58
- `\input`, 13
  - input file, 7
  - inputenc, 11, 22
- `\int`, 39
  - integral operator, 39
- international, 21
- italic, 65
- `\item`, 26
  - itemize, 26
  
- Knuth, Donald E., 1
  
- `\label`, 25, 36
  - Lamport, Leslie, 1
  - language, 21
- `\LARGE`, 65
- `\Large`, 65
- `\large`, 65
  - L<sup>A</sup>T<sub>E</sub>X 2.09, 2
  - L<sup>A</sup>T<sub>E</sub>X 2 $\epsilon$ , 2
  - L<sup>A</sup>T<sub>E</sub>X3, 1, 4
  - latexsym, 11
  - layout, 70
- `\ldots`, 20, 40
- `\left`, 40
  - left aligned, 27
- `\leftmark`, 59
  - legal paper, 9
  - letter paper, 9
  - ligature, 20
  - line spacing, 67
  - linebreak, 17
- `\linebreak`, 17
- `\linespread`, 67
- `\listoffigures`, 32
- `\listoftables`, 32
  - long equations, 42
  
- `\mainmatter`, 24
- `\makebox`, 73, 74
  - makeidx, 11, 58
  - makeidx package, 58
- `\makeindex`, 58
  - makeindex program, 58
- `\maketitle`, 24
  - margins, 70

- math, 35
- math font size, 43
- math spacing, 41
- `\mathbb`, 37
- `\mathbf`, 66
- `\mathcal`, 66
- mathematical
  - accents, 38
  - delimiter, 40
  - functions, 39
  - minus, 19
- mathematics, 35
- `\mathit`, 66
- `\mathnormal`, 66
- `\mathrm`, 43, 66
- mathrsfs, 53
- `\mathsf`, 66
- `\mathtt`, 66
- `\mbox`, 19, 20, 73
- minipage, 73
- minus sign, 19
- Mittelbach, Frank, 1
- modulo function, 39
- `\multicolumn`, 30
- `\newcommand`, 62
- `\newenvironment`, 63
- `\newline`, 17
- `\newpage`, 17
- `\newtheorem`, 44
- `\noindent`, 68
- `\nolinebreak`, 17
- `\nonumber`, 43
- `\nopagebreak`, 17
- `\normalsize`, 65
- œ, 21
- option, 8
- optional parameters, 6
- `\overbrace`, 38
- overfull hbox, 18
- `\overleftarrow`, 38
- `\overline`, 38
- `\overrightarrow`, 38
- package, 7, 10, 61
- packages
  - amsbsy, 46
  - amsmath, 40, 41, 43, 46
  - amssymb, 37, 47
  - babel, 21
  - calc, 72
  - dcolumn, 30
  - doc, 11
  - eucal, 53
  - eufrak, 53
  - exscale, 11, 40
  - fancyhdr, 59, 60
  - fontenc, 11, 22
  - graphicx, 55
  - ifthen, 11
  - indentfirst, 68
  - inputenc, 11, 22
  - latexsym, 11
  - layout, 70
  - makeidx, 11, 58
  - mathrsfs, 53
  - showidx, 59
  - syntonly, 11
  - verbatim, 60
- page layout, 70
- page style, 12
  - empty, 12
  - headings, 12
  - plain, 12
- `\pagebreak`, 17
- `\pageref`, 25
- `\pagestyle`, 12
- paper size, 9, 70
- paragraph, 15
- `\paragraph`, 23
- parameter, 6
- `\parbox`, 73
- parbox, 73
- `\parindent`, 68
- `\parskip`, 68
- `\part`, 23
- period, 20

- placement specifier, 31
- plain, 12
- \pmod, 39
- PostScript, 55
- preamble, 7
- prime, 38
- \printindex, 59
- \providecommand, 62
- \ProvidesPackage, 64
  
- \qqquad, 36, 41
- \quad, 36, 41
- quotation, 28
- quotation marks, 19
- quote, 28
  
- \raisebox, 74
- \ref, 25, 36
- \renewcommand, 62
- \renewenvironment, 63
- report class, 8
- reserved characters, 5
- \right, 40, 42
- right-aligned, 27
- \right., 40
- \rightmark, 59
- roman, 65
- \rule, 63, 75
  
- sans serif, 65
- Scandinavian letters, 21
- \scriptscriptstyle, 43
- \scriptsize, 65
- \scriptstyle, 43
- \section, 23
- \sectionmark, 59
- \setlength, 68, 70
- \settoheight, 72
- \settoheight, 72
- \settowidth, 72
- showidx, 59
- single sided, 9
- slanted, 65
- slides class, 8
- \sloppy, 18
  
- \small, 65
- small caps, 65
- space, 5
- special character, 20
- \sqrt, 38
- square brackets, 6
- square root, 38
- \stretch, 63, 69
- structure, 7
- strut, 75
- \subparagraph, 23
- subscript, 38
- \subsection, 23
- \subsectionmark, 59
- \subsubsection, 23
- \sum, 39
- sum operator, 39
- syntonly, 11
  
- table, 29
- table, 31, 32
- table of contents, 24
- \tableofcontents, 24
- tabular, 29, 73
- \textbf, 65
- \textit, 65
- \textmd, 65
- \textnormal, 65
- \textrm, 43, 65
- \textsc, 65
- \textsf, 65
- \textsl, 65
- \textstyle, 43
- \texttt, 65
- \textup, 65
- thebibliography, 57
- \thispagestyle, 12
- three dots, 40
- tilde, 38
- tilde ( ~ ), 22
- \tiny, 65
- title, 9, 24
- \title, 24
- \tnss, 62

---

`\totalheight`, 74  
two column, 9

umlaut, 21

`\underbrace`, 38  
underfull hbox, 18

`\underline`, 38  
units, 68, 69  
upright, 65

`\usepackage`, 10, 21, 22, 63

`\vdots`, 40

`\vec`, 38  
vectors, 38

`\verb`, 28, 29  
verbatim, 60  
verbatim, 28, 60

`\verbatiminput`, 60  
verse, 28  
vertical dots, 40  
vertical space, 69

`\vspace`, 69

whitespace, 5  
after commands, 6  
at the start of a line, 5

`\widehat`, 38

`\widetilde`, 38

`\width`, 73, 74  
WYSIWYG, 3

