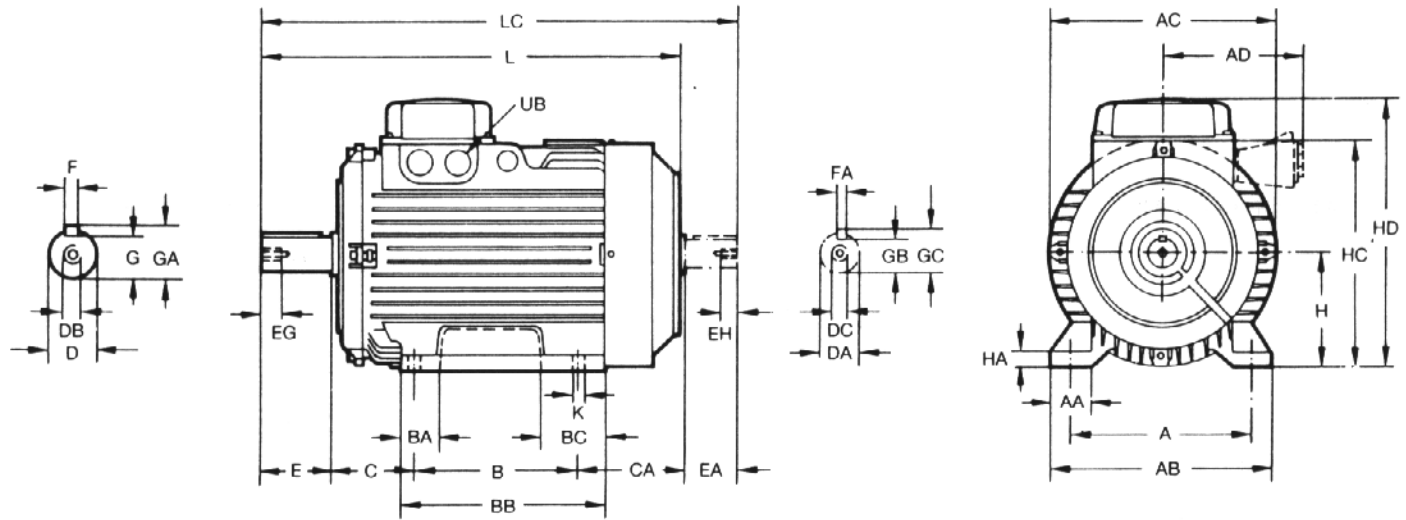


Dimension Drawings

Type MBT 160-250
Foot mounted motors
IM 1001, IM 1002



Dimensions

Type	No. of poles	A	AA	AB	AC	AD	B	BA	BB	BC	C	CA	D	DA	DB	DC	E	EA	EG
MBT 160 M(A)	2-8	254	60	312	310		210	50	292	94	108	175	42	32	M16	M12	110	80	36
160 L	2-8	254	60	312	310		254	50	292	94	108	131	42	32	M16	M12	110	80	36
180 M	2-8	279	69	340	360		241	53	323	89	121	221	48	38	M16	M12	110	80	36
180 L	2-8	279	69	340	360		279	53	323	89	121	183	48	38	M16	M12	110	80	36
200 L(A)	2-8	318	67	406	400		305	62	365	62	133	180	55	42	M20	M16	110	110	42
225 S	4-8	356	61	446	445	222	286	75	360	75	149	262	60	55	M20	M20	140	110	42
225 M	2	356	61	446	445	222	311	75	360	75	149	237	55	55	M20	M20	110	110	42
225 M	4-8	356	61	446	445	222	311	75	360	75	149	237	60	55	M20	M20	140	110	42
250 M	2	406	49	460	445	222	349	94	437	94	168	180	60	55	M20	M20	140	110	42
250 M	4-8	406	49	460	450	222	349	94	437	94	168	245	65	55	M20	M20	140	110	42

Type	No. of poles	EH	F	FA	G	GA	GB	GC	H	HA	HC	HD	K	L	LC	UB
MBT 160 M(A)	2-8	28	12	10	37	45	27	35	160	18	315	370	15	596	683	Pr 37 2)
160 L	2-8	28	12	10	37	45	27	35	160	18	315	370	15	596	683	Pr 37 2)
180 M	2-8	28	14	10	42.5	51.5	33	41	180	20	360	415	15	686	773	Pr 37 2)
180 L	2-8	28	14	10	42.5	51.5	33	41	180	20	360	415	15	686	773	Pr 37 2)
200 L(A)	2-8	36	16	12	49	59	37	45	200	10	407	478	19	721	838	Pr 47 2)
225 S	4-8	42	18	16	53	64	49	59	225	12	454	525	19	830	947	2 x FL 13 3)
225 M	2	42	16	16	49	59	49	59	225	12	454	525	19	800	917	2 x FL 13 3)
225 M	4-8	42	18	16	53	64	49	59	225	12	454	525	19	830	947	2 x FL 13 3)
250 M	2	42	18	16	53	64	49	59	250	16	479	550	24	830	947	2 x FL 13 3)
250 M	4-8	42	18	16	58	69	49	59	250	16	479	550	24	895	1012	2 x FL 13 3)

Tolerances	A, B	C, CA	D, DA 32-48	D, DA 55-65	F, FA	H
	js 14	+0 -2	k6	m6	h9	+0 -0.5

- 2) Dimension UB = 4 knock-out openings.
Connection fittings = Single speed 1 x Pr 37 resp. 1 x Pr 47
Two speed 2 x Pr 37 resp. 2 x Pr 47
- 3) Dimension UB = Flange entry has a gland plate with tapped holes blanked-off with plugs.
- 4) Dimension AD = For 220V only. Motor has a pipe flange FL 13/2 x Pr 54

Dimensions in mm. Design, data and dimensions are subject to modification without notice.